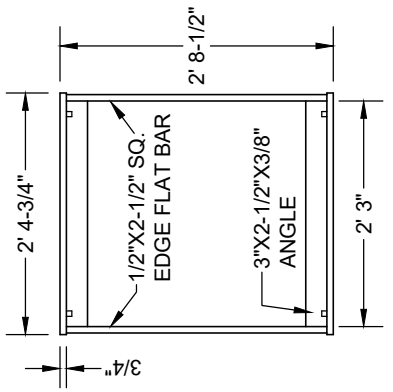
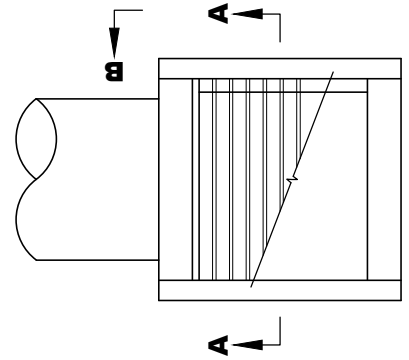


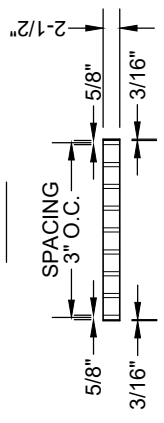
**SECTION A-A**



**FRAME PLAN**



**FRAME SECTION**



**GRATE SECTION TYPE 1**

**NOTES:**

1. CONCRETE SHALL BE COMMERCIAL GRADE.
2. CATCH BASIN, FRAME & GRATES SHALL MEET H20 LOADING.
3. INSIDE FRAME DIMENSIONS: 2' 3-3/8" X 2' 8-1/2".
4. GROUTING SHALL BE SUFFICIENT TO PREVENT LEAKS BETWEEN THE PRECAST COMPONENTS OF THE COMPLETED STRUCTURE & SHALL BE PERFORMED INSIDE, BETWEEN & OUTSIDE OF ALL RISERS, JOINTS & PIPE PENETRATIONS.
5. ALL RISERS OR ADJUSTMENT SECTIONS SHALL BE THE SAME INSIDE DIMENSIONS AS BASE SECTIONS.

**NOTE:**  
 $\frac{3}{8}$ " CROSS BARS SHALL BE FLUSH WITH THE GRATE SURFACE AND MAY BE FILLET WELDED, RESISTANCE WELDED OR ELECTROFORGED TO BEARING BARS.



**CITY OF KELSO**  
 DEPARTMENT OF  
 COMMUNITY DEVELOPMENT  
 & ENGINEERING

**DITCH INLET**  
 CITY ENGINEER APPROVAL: Michael Kardas, P.E.  
 x *[Signature]*

STANDARD PLAN NO.  
**KSD-020-21**  
 DATE:  
**MAY 2021**

N.T.S.