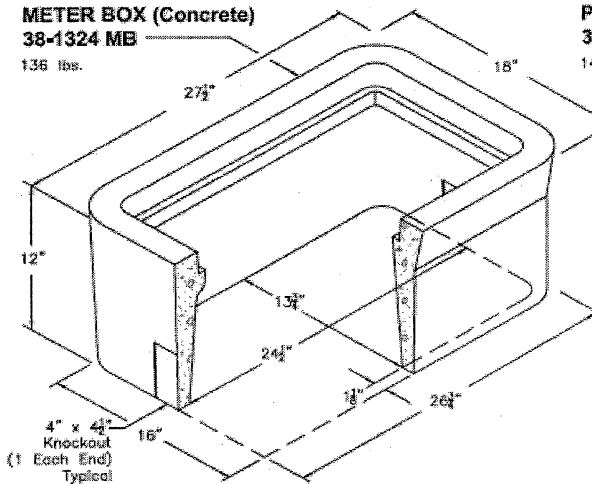
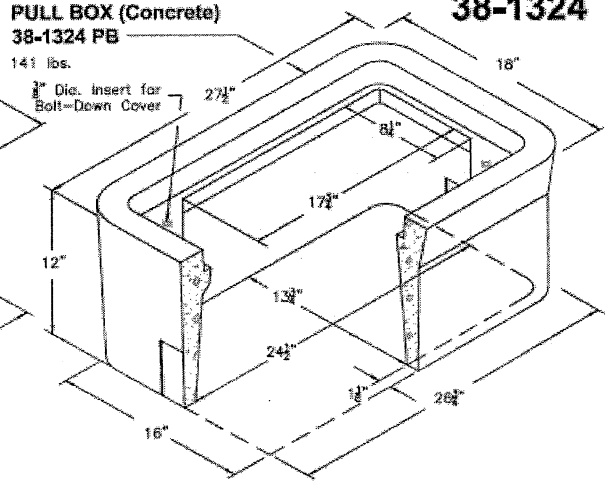


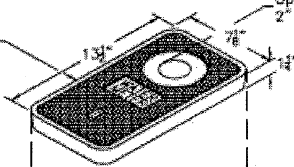
METER BOX (Concrete)
38-1324 MB
 136 lbs.



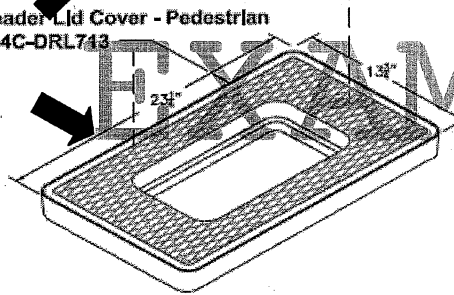
PULL BOX (Concrete)
38-1324 PB
 141 lbs.



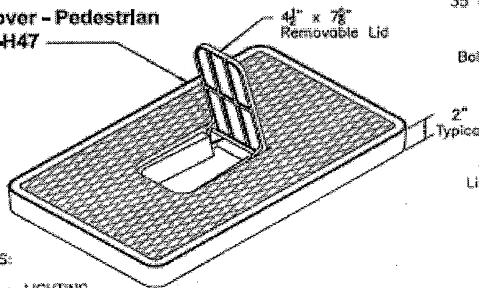
Cast Iron Reader Lid
No. 713L-CI
 9 lbs.



Drop-In Reader Lid Cover - Pedestrian
No. 38-1324C-DRL743
 39 lbs.

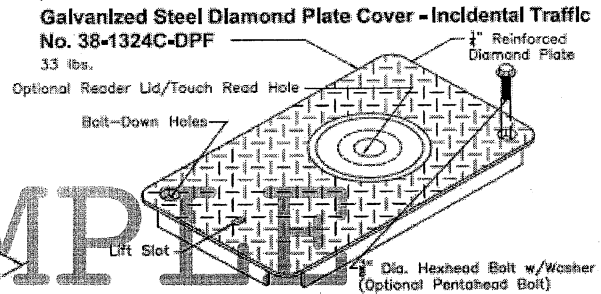


Hinged Lid Cover - Pedestrian
No. 38-1324C-H47
 53 lbs.

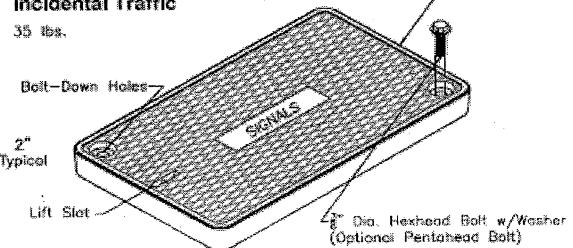


ODOT JB-2 "Blue Sheet" Listed

Galvanized Steel Diamond Plate Cover - Incidental Traffic
No. 38-1324C-DPF
 33 lbs.



Solid Cover
No. 38-1324C-POLYCON
(Polymer Concrete-HBBOA)
Incidental Traffic
 35 lbs.





STANDARD MARKINGS:

- CATV
- CITY WATER
- COMM
- ELECTRIC
- GROUND
- LIGHTING
- SEWER
- SIGNALS
- WATER METER

Notes:

- Boxes available in standard or lightweight concrete.
- 6" & 12" extensions available.
- NonSlip covers available.
- Optional cover markings available.
- Pedestrian Loading: 300 psf.
- Incidental Traffic Loading: Suitable for H-20 Loading in off street locations where not subjected to high density traffic.

SCALE: 1" = 1'-0"

 a division of  PO Box 323, Wilsonville, Oregon 97070-0323 Tel: (800) 609-6150 Fax: (503) 682-7865	38-1324	38-1324 13 x 24 METER BOX / PULL BOX
	File Name: 036LUWM38-1324	
	Issue Date: 2006	
	www.christoryconcrete.com	



SUBMITTAL PROCEDURES (16 OF 28)

STANDARD PLAN:
PN - 025 - L
 DATE: **FEB. 2008**

CITY ENGINEER APPROVAL:
 Longview: **C.B.**
 Kelso: