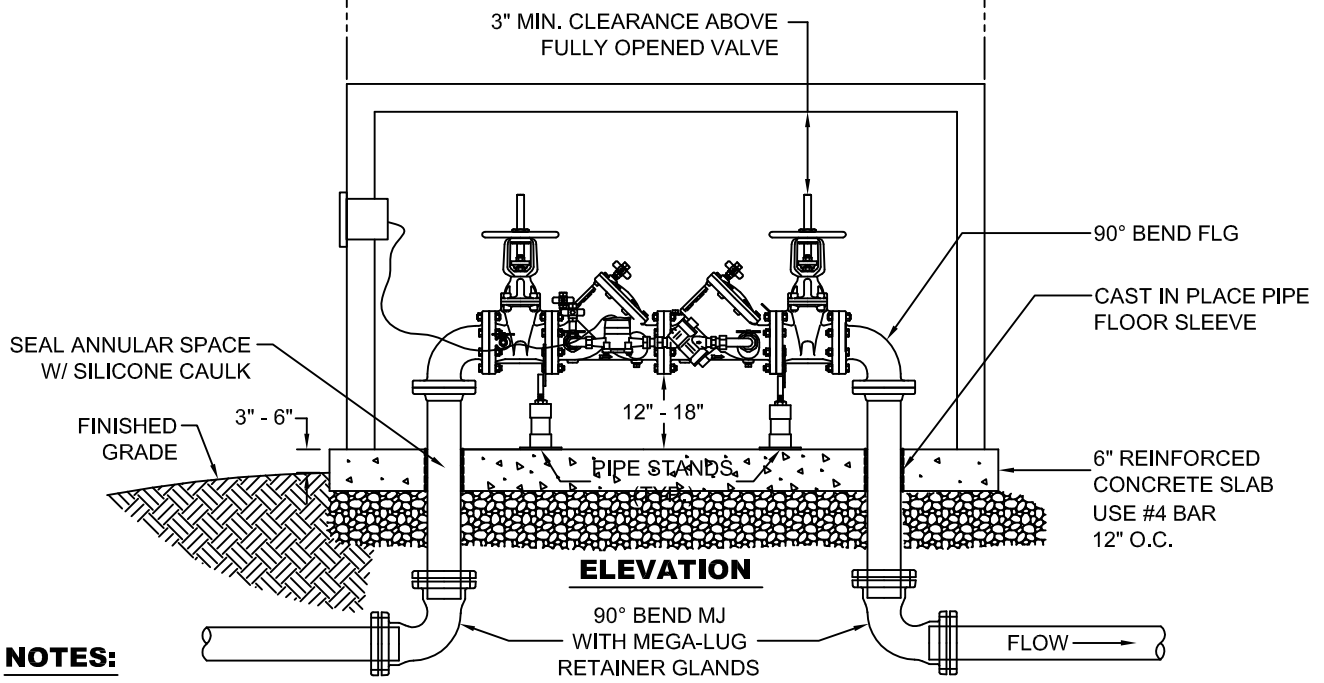


PLAN



ELEVATION

NOTES:

1. REFER TO CITY STANDARD DETAIL W-430 FOR INSTALLATION REQUIREMENTS THAT APPLY TO ALL BACKFLOW PREVENTION ASSIMBLIES.
2. ASSEMBLY SHALL BE INSTALLED ABOVE GROUND IN A HEATED AND/OR INSULATED ENCLOSURE CAPABLE OF PROVIDING YEAR-ROUND FREEZE PROTECTION, SIZED TO MEET THE CLEARANCE REQUIREMENTS SHOWN IN THE DETAIL.
3. DCDA GATE VALVES SHALL HAVE SUPERVISED TAMPER SWITCHES IF REQUIRED BY FIRE MARSHALL.
4. PIPE STANDS TO BE STANDON S76 OR EQUIVALENT FLANGE STYLE STANDS, EITHER GALVANIZED OR MADE OF STAINLESS STEEL.
5. WATER METER SHALL INCLUDE A TOUCH READ PIT MODULE INSTALLED ON THE STREET SIDE OF THE ENCLOSURE.
6. VERTICAL UPRIGHTS SHALL BE FLANGED SPOOLS OR BE RESTRAINED JOINT WITH STAINLESS STEEL RODS.
7. SLAB SHALL EXTEND 12" LARGER THAN ENCLOSURE FOOTPRINT, ALL THE WAY AROUND.



DOUBLE CHECK DETECTOR ASSEMBLY, LARGE, ABOVE GROUND

STANDARD PLAN: W - 370	CITY ENGINEER APPROVAL:
DATE: FEB. 2008	Longview: C.B. Kelso: S.Z.