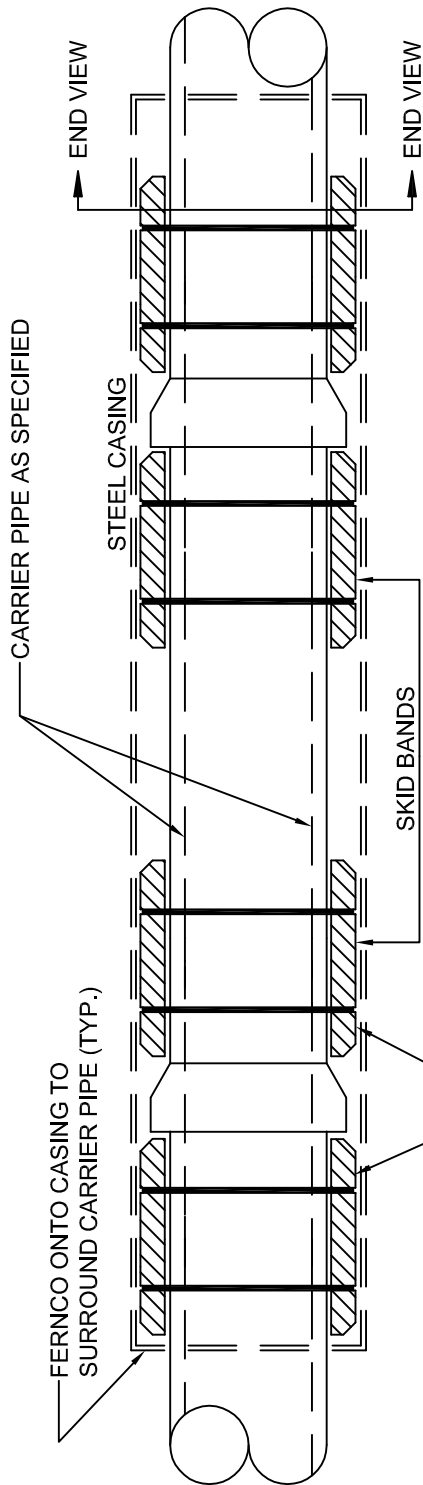
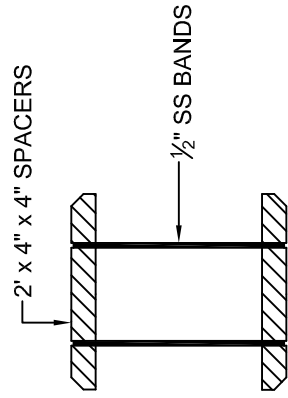


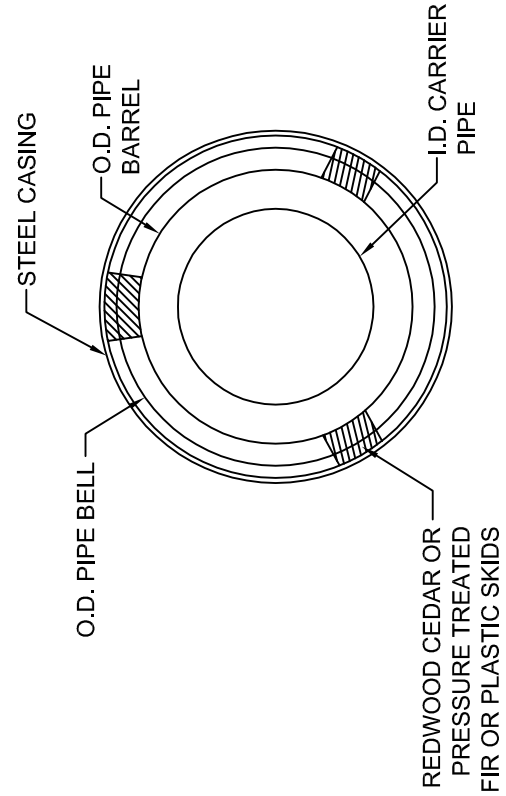
ALL RESTRAINED JOINTS



STRAP WOODEN OR PLASTIC SKIDS TO PIPE,
3 SKIDS PER PIPE SECTION



SKID DETAIL



END VIEW

CASING DETAIL

STANDARD PLAN:
W - 270
DATE: **FEB. 2008**

CITY ENGINEER APPROVAL:
Longview: **C.B.**
Kelso: **S.Z.**