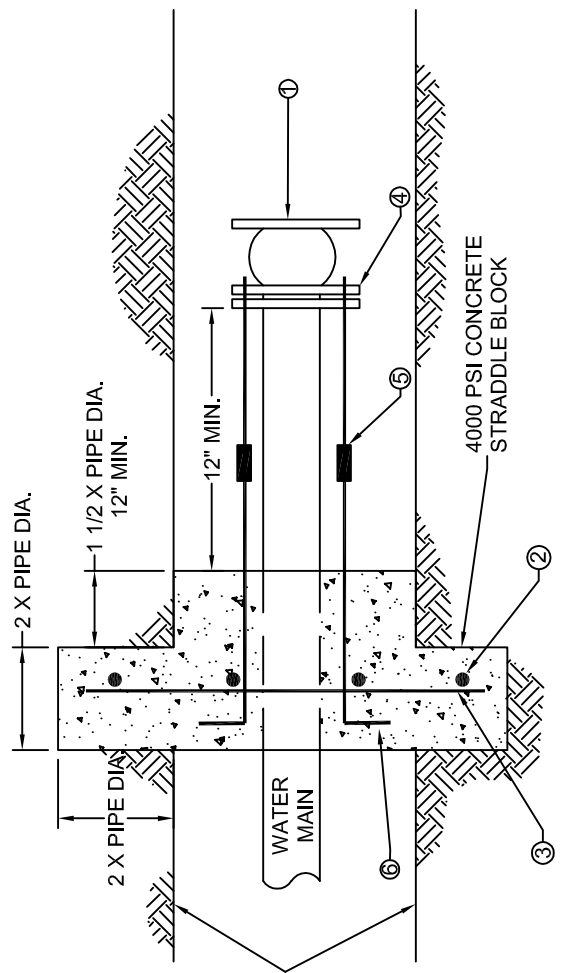
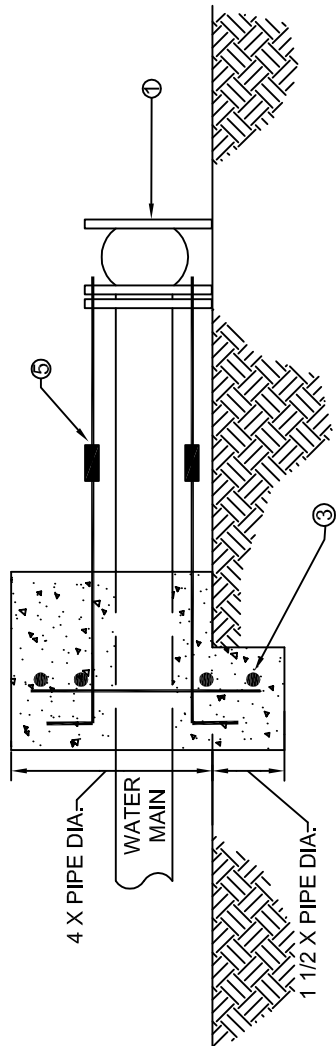


- ① MECHANICAL JOINT FITTING, TEE, BEND, VALVE, ETC.
- ② 4 EACH - #4 BARS
- ③ 4 EACH - #4 BARS
- ④ 90° EYE BOLT - 3/4" UNC ROLLED THREAD DUCTILE LUGS NOT ACCEPTED
- ⑤ 3/4" STAINLESS STEEL ALL THREAD TIE ROD, N.C. THREAD, STAINLESS STEEL COUPLERS ALLOWED
- ⑥ BEND TIE ROD W/ MIN 6" AFTER 90° OPTION: USE 4" SQUARE PLATE W/ NUT



PLAN VIEW

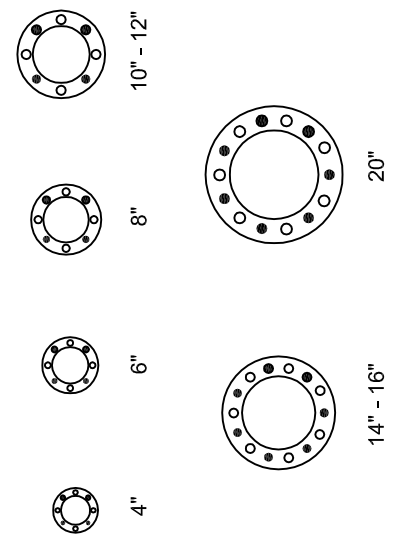
GRADE



SIDE VIEW

**NOTES:**

1. CONCRETE THRUST BLOCKING TO BE POURED AGAINST UNDISTURBED EARTH.
2. PLASTIC BARRIER SHALL BE WRAPPED AROUND ALL FITTINGS AND PIPE TO PROVIDE A BOND BREAKER.
3. ANCHOR REBAR SHALL BE 5/8" MINIMUM DIAMETER.
4. ANCHOR REBAR SHALL BE TIGHTLY FITTED AGAINST BEND OR VALVE.
5. CITY ENGINEER CAN WAIVE BLOCKING REQUIREMENTS IF SUFFICIENT RESTRAINT IS PROVIDED.
6. ALL THRUST BLOCKS TO BE CLASS 4000 CONCRETE (3-DAY MIX).



**STRADDLE BLOCK DETAIL**

STANDARD PLAN: <b>W - 210</b>	CITY ENGINEER APPROVAL:
DATE: <b>FEB. 2007</b>	Longview: <b>C.B.</b>
	Kelso: <b>S.Z.</b>