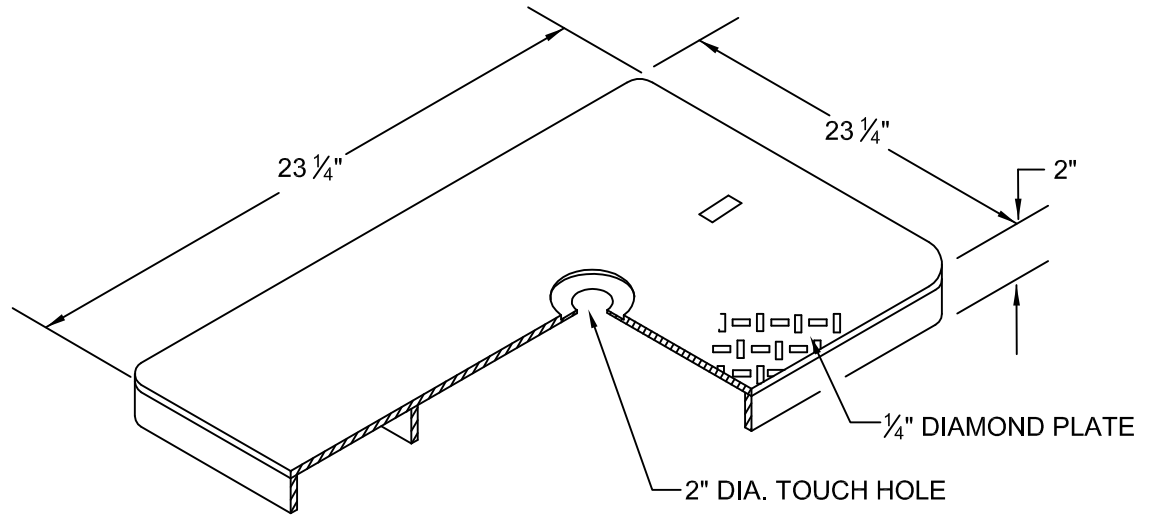
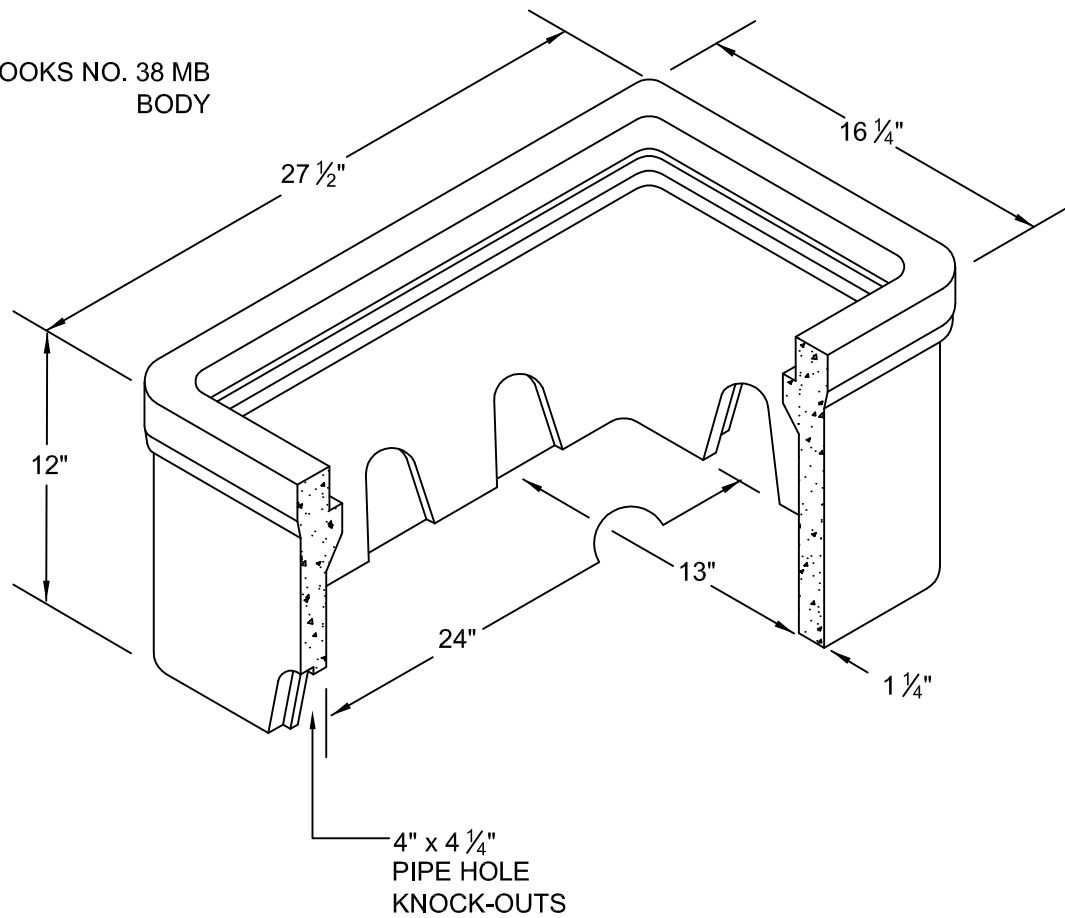


BROOKS NO. 38-TF
STEEL TRAFFIC COVER FLUSH



BROOKS NO. 38 MB
BODY



TRAFFIC COVER & BOX, TOUCH & READ APPLICATION - 1" METERS

STANDARD PLAN:
W - 110

DATE: **FEB. 2007**

CITY ENGINEER APPROVAL:

Longview: **C.B.**

Kelso: **S.Z.**