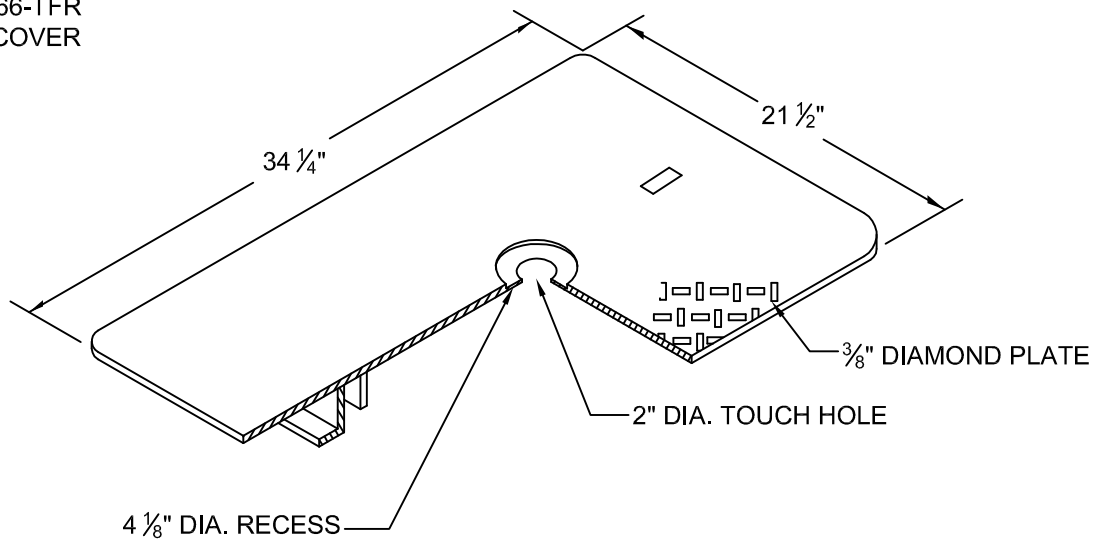
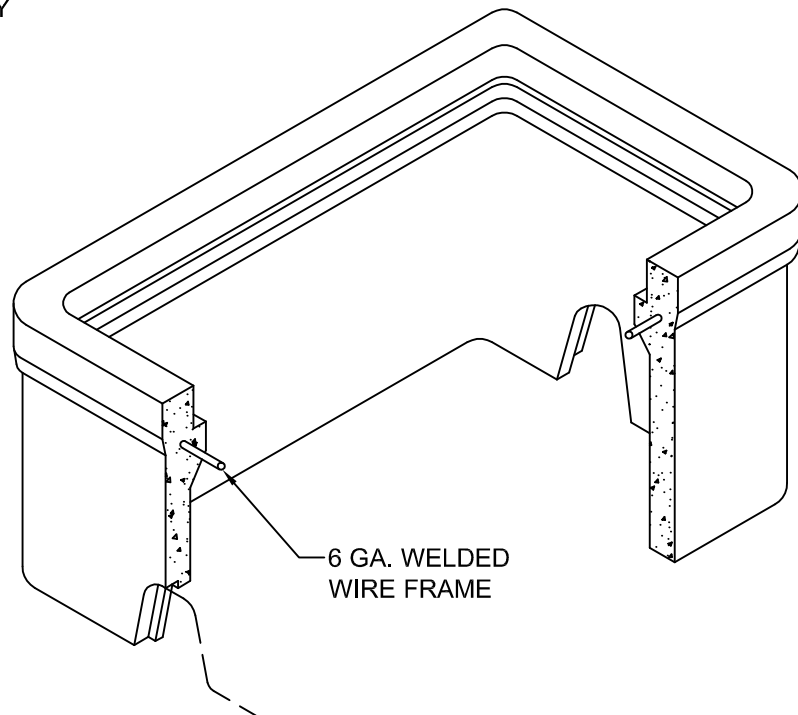


BROOKS NO. 66-TFR
STEEL TRAFFIC COVER



BROOKS NO. 66
BODY



INSIDE DIMENSION OF BOX
= 17" x 30"



TRAFFIC COVER & BOX, TOUCH AND READ APPLICATION 2" METER

STANDARD PLAN:
W - 080

CITY ENGINEER APPROVAL:

Longview: **C.B.**

DATE: **FEB. 2008**

Kelso: **S.Z.**