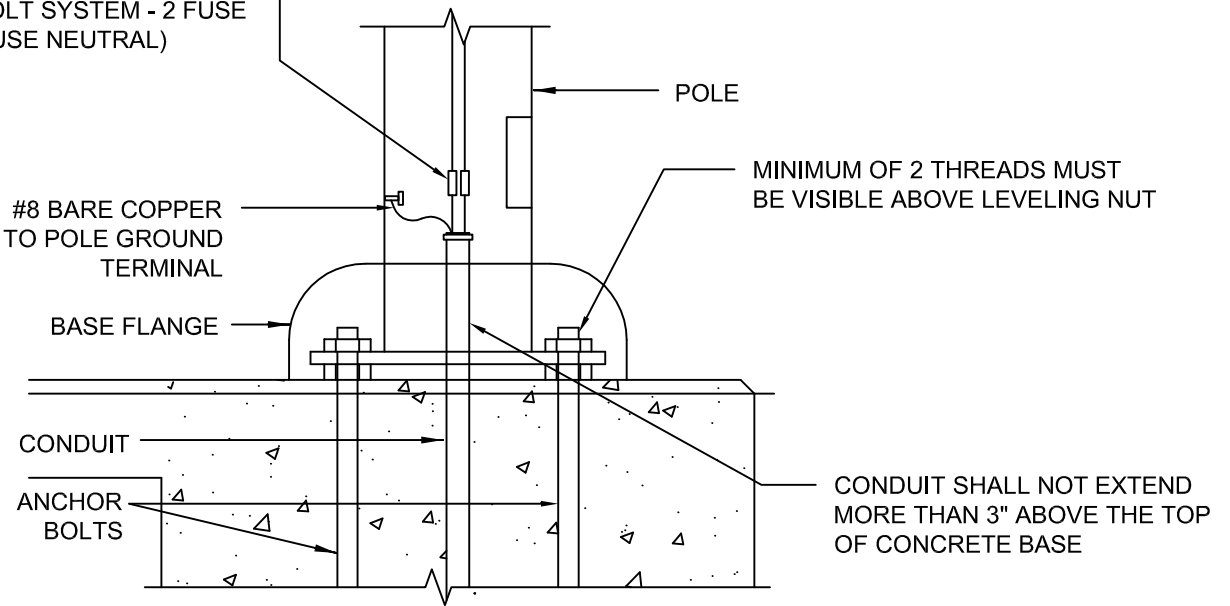


10 AMP FUSIBLE QUICK
DISCONNECT (TRON
IN-LINE FUSE HOLDER,
HEB- OR APPROVED EQUAL)
FOR 120 VOLT SYSTEM - 1 FUSE
FOR 240 VOLT SYSTEM - 2 FUSE
(DO NOT FUSE NEUTRAL)



STREET LIGHT WIRING

STANDARD PLAN:
TR - 070

CITY ENGINEER APPROVAL:

Longview: **C.B.**

DATE: **FEB. 2008**

Kelso: **S.Z.**