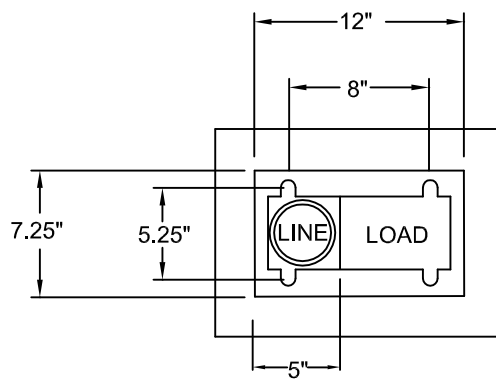
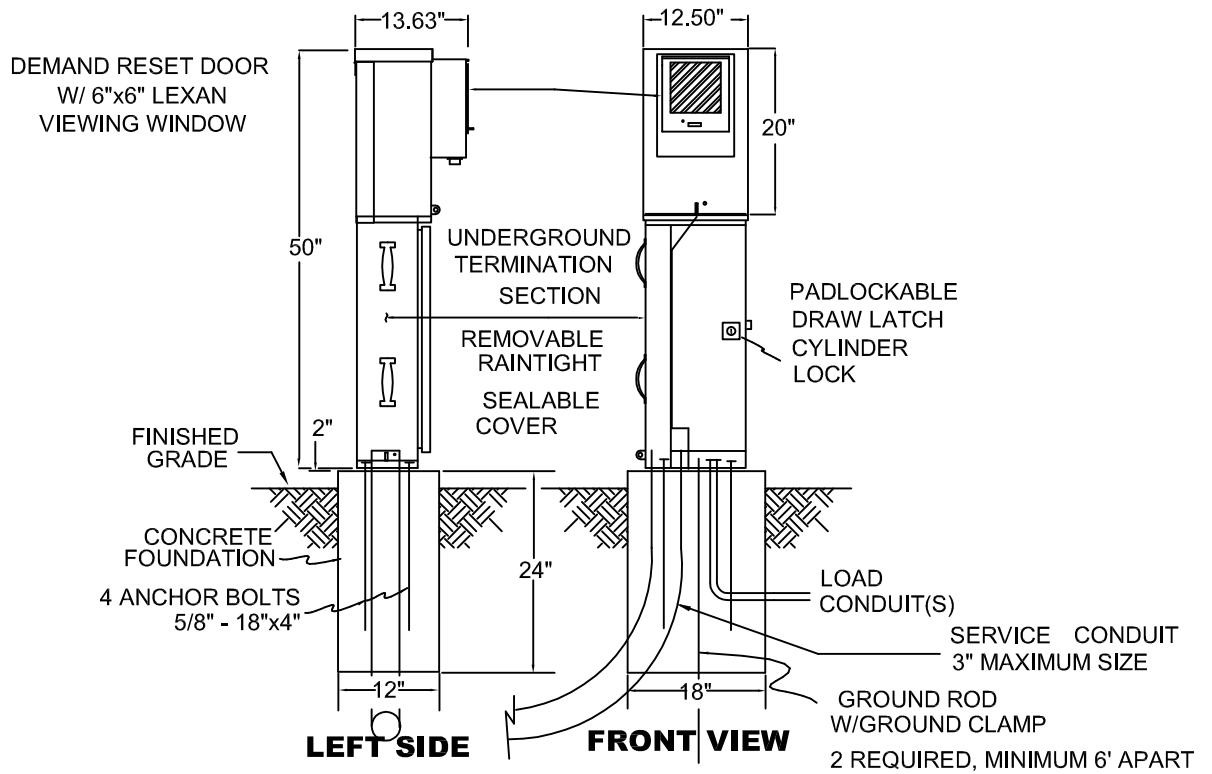
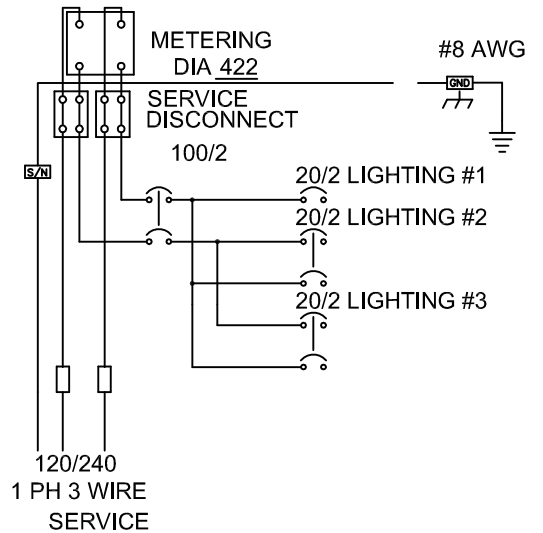


METERING SECTION HOOD
FRONT-TOP & SIDES HINGED

METER SOCKET (100 AMP MIN.)
FACTORY WIRED FROM LINE LANDING
LUGS TO METER SOCKET IN A SEPERATE
WIREWAY



Base Detail
(NOT TO SCALE)



NOTE:
THE ABOVE IS AN EXAMPLE OF A TYPICAL
CIRCUIT FOR AN ILLUMINATION SYSTEM.
THE ILLUMINATION PLAN SHALL SHOW THE
ACTUAL CIRCUIT AND WILL BE REVIEWED
AND APPROVED BY THE TRAFFIC ENGINEER.

(TESCO 26-000 OR APPROVED EQUAL)



SERVICE CABINET

STANDARD PLAN:
TR - 050
DATE: **FEB. 2007**

CITY ENGINEER APPROVAL:
Longview: **C.B.**
Kelso: **S.Z.**