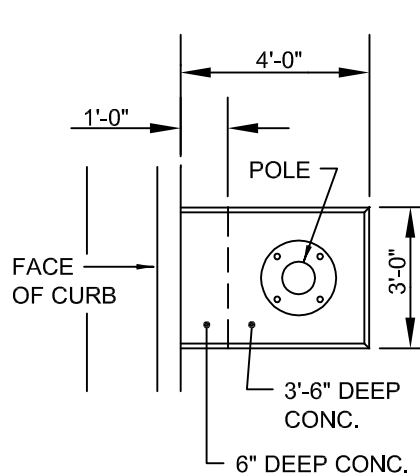


SECTION



FOR BASES POURED IN THE SIDEWALK SECTION, MINIMUM 5' WALK PATH REQUIRED AROUND POLE. SEE STD. # ST-190.

PLAN



28' STREET LIGHT POLE

STANDARD PLAN:
TR - 040

CITY ENGINEER APPROVAL:

Longview: **C.B.**

DATE: **FEB. 2008**

Kelso: **S.Z.**