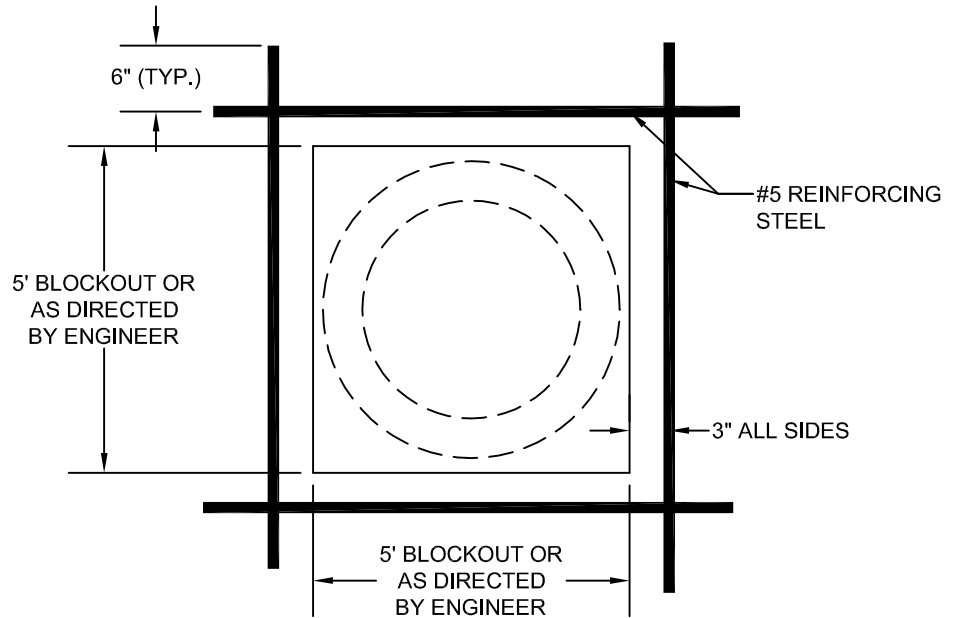


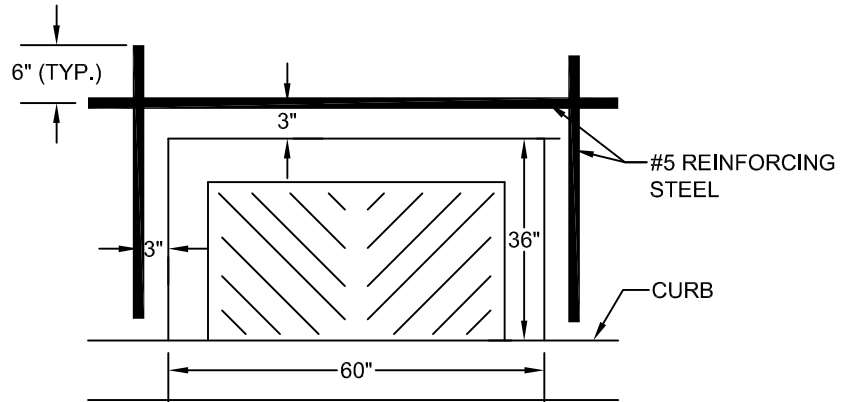
**NO. 1 FOR MANHOLE  
BLOCKOUT**

USE FOUR #5 BARS -  
LENGTH EQUAL TO  
BLOCKOUT PLUS 1-½ FEET



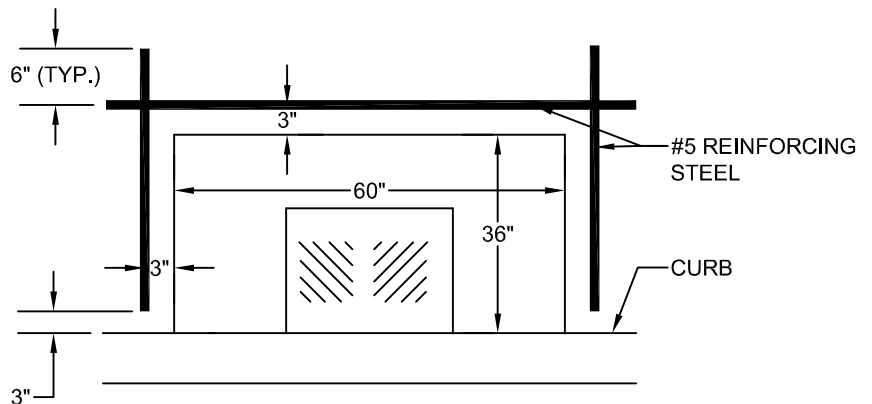
**NO. 2 FOR CATCH  
BASIN BLOCKOUT**

USE TWO #5 BARS - 3'-6" LONG  
USE ONE #5 BAR - 6'-6" LONG



**NO. 3 FOR CATCH BASIN  
WITH CURB INLET**

USE TWO #5 BARS - 3'-6" LONG  
USE ONE #5 BAR - 6'-6" LONG



**NOTES:**

1. PLACE ALL REBAR TO HAVE 2" CLEARANCE FROM BOTTOM OF SLAB
2. PLACE ½" FULL EXPANSION JOINT MATERIAL ON ALL SIDES OF BLOCK OUT
3. CEMENT CONCRETE SHALL BE CL 4000, 3 DAY MIX