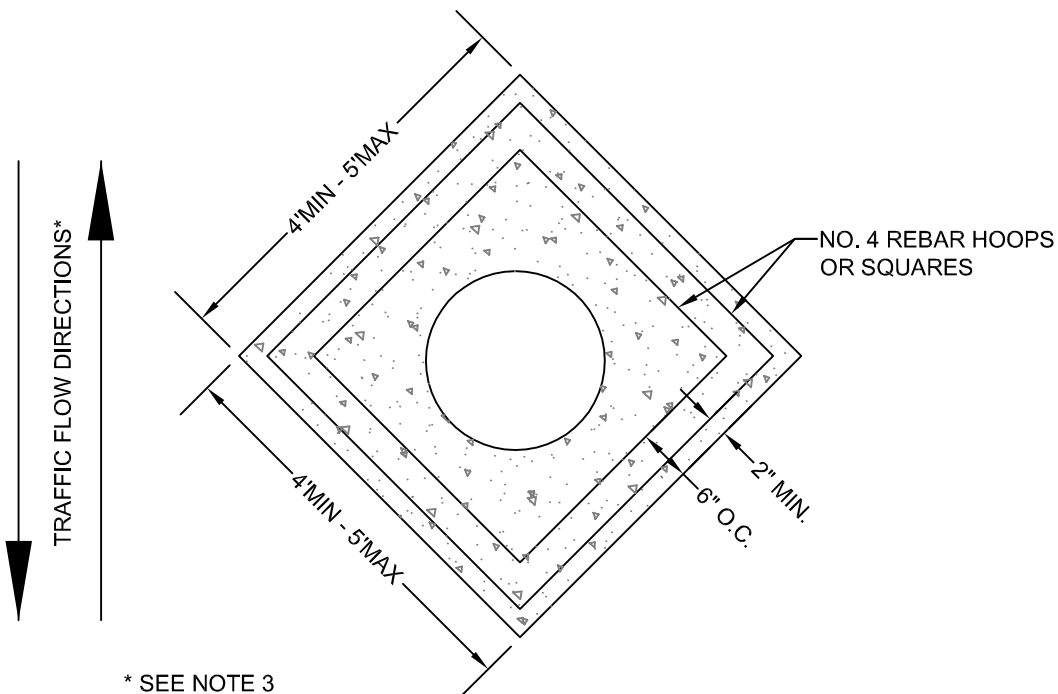
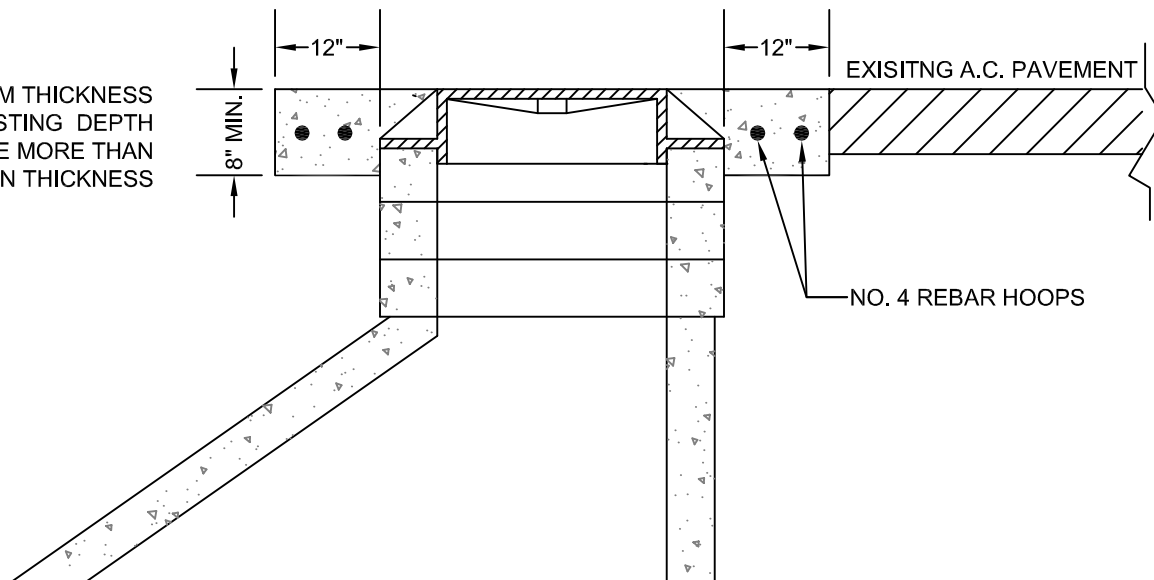


8" MINIMUM THICKNESS
OR MATCH EXISTING DEPTH
FOR CONCRETE MORE THAN
8" IN THICKNESS



* SEE NOTE 3

NOTES:

1. CEMENT CONCRETE SHALL BE CL 4000, 3-DAY PAVEMENT MIX.
2. NEW MANHOLES SHALL RECEIVE THE SAME CONCRETE & REINFORCING STEEL SURROUND AS SHOWN ABOVE FOR ADJUSTED MANHOLES.
3. CONCRETE COLLAR SHALL BE CONSTRUCTED WITH POINTS PARALLEL AND PERPENDICULAR TO TRAFFIC FLOW.
4. SEAL BETWEEN RISERS AND CASTING TO BE MASTIC.



CEMENT COLLAR FOR MANHOLES

STANDARD PLAN: ST - 050	CITY ENGINEER APPROVAL:
DATE: FEB. 2007	Longview: C.B.
	Kelso: S.Z.