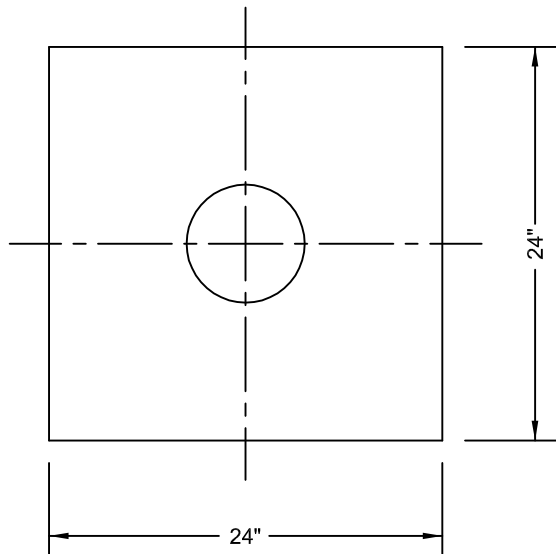
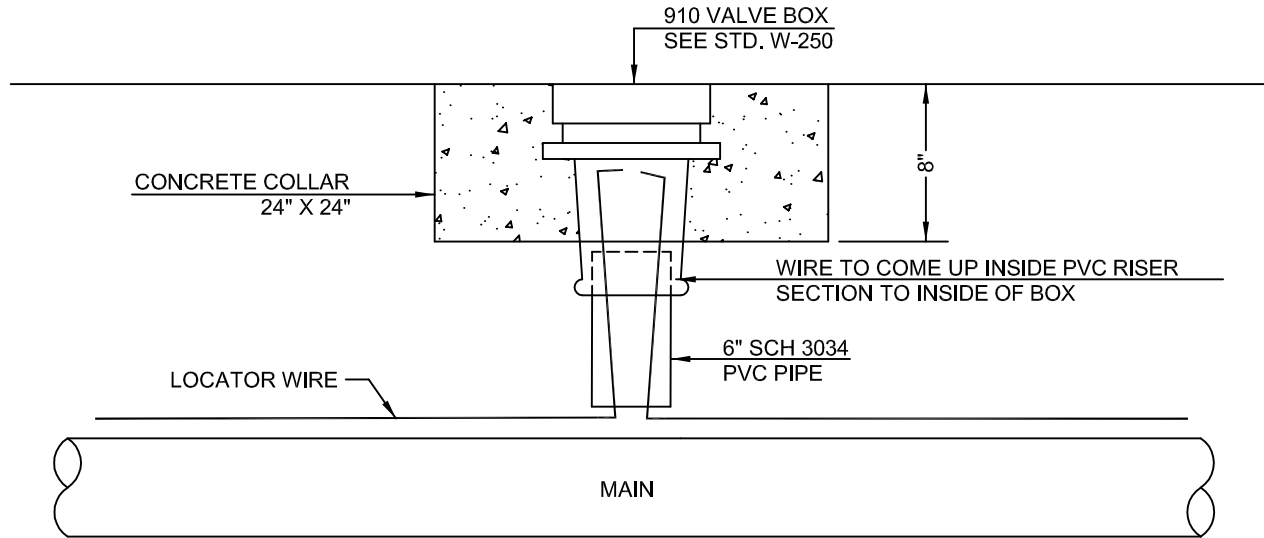


VALVE BOX LID TO BE EMBOSSED WITH "WATER" OR "SEWER"



**CONCRETE COLLAR
TOP VIEW**

1. PLASTIC VALVE STACK SHALL EXTEND FROM TOP OF PIPE TO MIDDLE OF CASE IRON VALVE BOX.
2. A CONCRETE COLLAR SHALL BE INSTALLED AROUND THE CAST IRON VALVE BOX, COLLAR SHALL BE 24"W X 24"L X 8"D, COLLAR SHALL BE EDGED WITH $\frac{3}{8}$ " FELT IF INSTALLED IN A CONCRETE AREA.
3. WIRE SHALL BE 12 GAUGE SOFT DRAWN COPPER WITH INSULATION.
4. INSULATION COLOR SHALL BE BLUE FOR WATER AND GREEN FOR SEWER.
5. WIRE SHALL BE ATTACHED TO PIPE EVERY 20', WIRE SHALL BE CENTERED ON TOP OF PIPE WITH ONE FOOT SLACK FOR EVERY 20' OF PIPE.
6. 500' MAXIMUM SPACING FOR VALVE BOXES.
7. 3' EXCESS WIRE COILED IN VALVE BOX OR LOCATOR BOX TO REACH 3' ABOVE FINISH GRADE.
8. WIRE SHALL COME UP INSIDE OF PVC RISER SECTION FOR LOCATOR BOX ONLY APPLICATION.



LOCATOR BOX DETAIL

STANDARD PLAN:
SS - 260
DATE: **FEB. 2008**

CITY ENGINEER APPROVAL:
Longview: **C.B.**
Kelso: **S.Z.**