

NOTE:

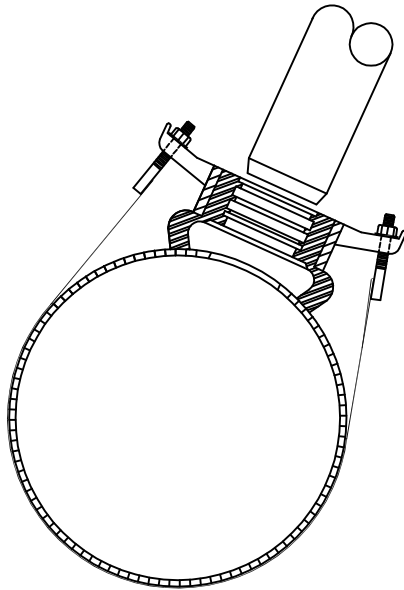
BOLTS, NUTS AND WASHERS, 1/2" UNC
ROLL THREAD TEFLON COATED.

3 1/2" WIDE BAND FOR SPREADING OUT
CLAMP FORCE ON PIPE.

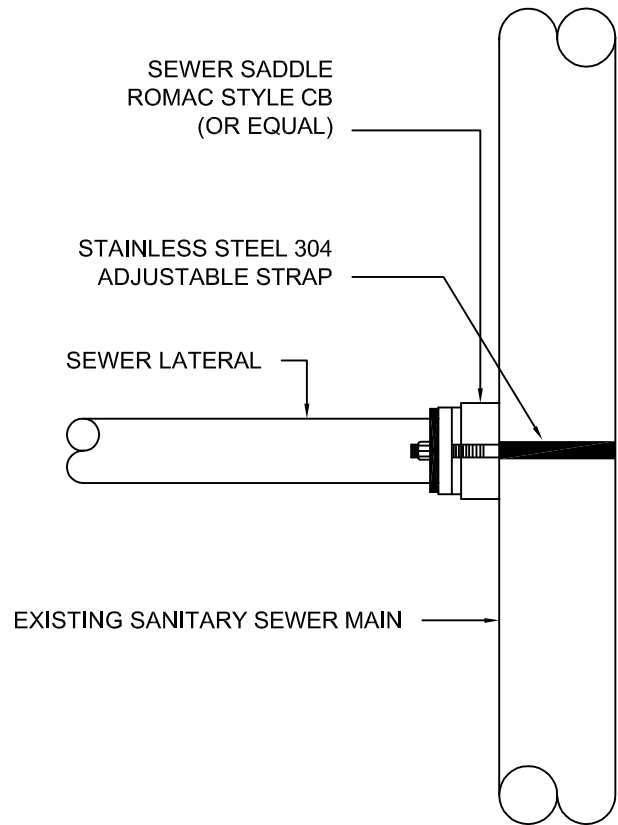
THE STAINLESS WELDS ARE FULLY
PASSIVATED.

EXCESS STRAP GOES BETWEEN PIPE
AND BAND

**STAINLESS STEEL 304
ADJUSTABLE STRAP**



**SANITARY SEWER SADDLE
CONFORMING TO PIPE**



NOTE:

PIPE TO BE TAPPED USING A HOLE
SAW OR APPROVED EQUAL
NO SIZE ON SIZE TAPS



SANITARY SEWER TAP

STANDARD PLAN:
SS - 230

DATE: **FEB. 2007**

CITY ENGINEER APPROVAL:

Longview: **C.B.**

Kelso: **S.Z.**