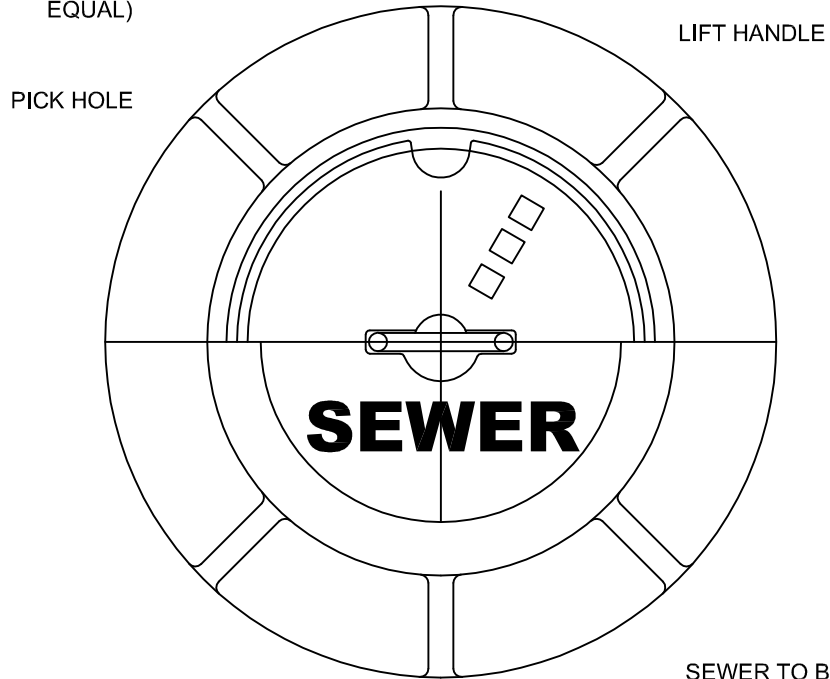
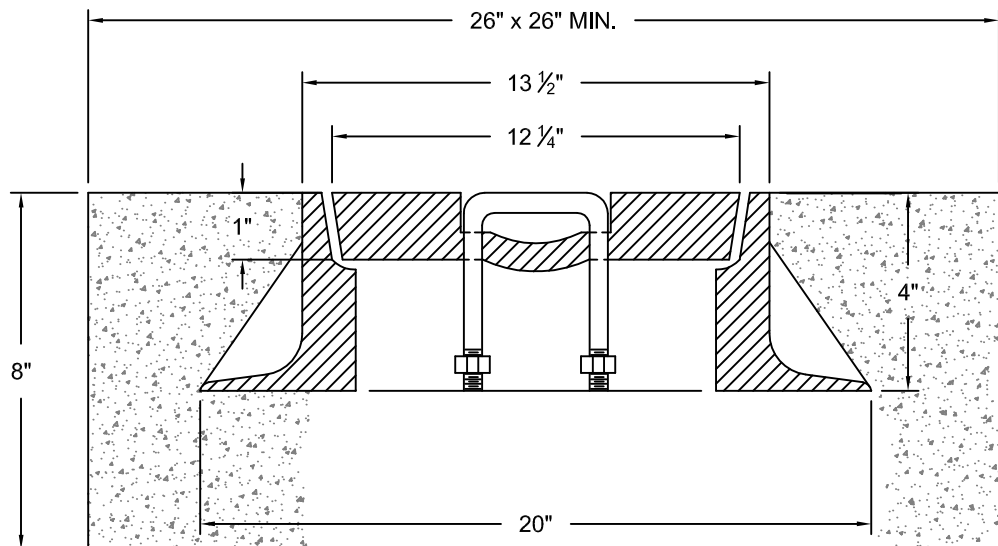


OLYMPIC FOUNDRY, INC.
 11" x 4" FLANGE DOWN
 FRAME AND COVER PART
 NO. MH5 (OR APPROVED
 EQUAL)

1" x 1" x 1/8"
 RAISED TREAD



SEWER TO BE EMBOSSED ON LID



CONCRETE COLLAR
 A CONCRETE COLLAR SHALL BE INSTALLED AROUND THE CAST IRON CLEAN
 OUT BOX.
 COLLAR SHALL BE 26" x 26"L x 8"D.
 COLLAR SHALL BE EDGED WITH 3/8" FELT IF INSTALLED IN A CONCRETE AREA.



CLEAN OUT FOR 8" LINES

STANDARD PLAN:
SS - 170

CITY ENGINEER APPROVAL:

Longview: **C.B.**

DATE: **FEB. 2007**

Kelso: **S.Z.**