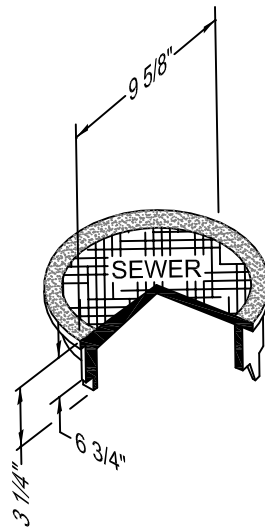
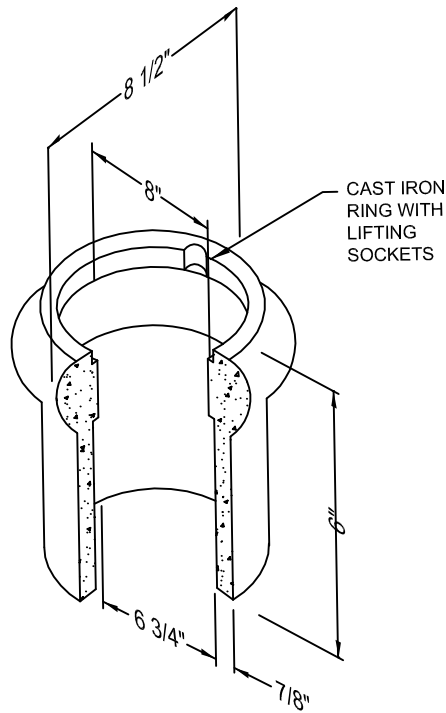


NO. RT-1 CAST IRON COVER



NO. RT-1 BODY



NOTES:

1. NOT INTENDED FOR USE IN TRAFFIC AREAS.
2. COVER TO BE MARKED "SEWER" FOR CLEAN OUT.
3. FOR 6" SEWER LATERAL ONLY. LARGER LATERALS SHALL USE SS-170 OR APPROVED EQUAL.
4. CONCRETE COLLAR TO BE POURED AROUND BOX PER DETAIL W - 250.



SEWER CLEAN-OUT

STANDARD PLAN: SS - 160	CITY ENGINEER APPROVAL: Longview: C.B.
DATE: FEB. 2008	Kelso: S.Z.