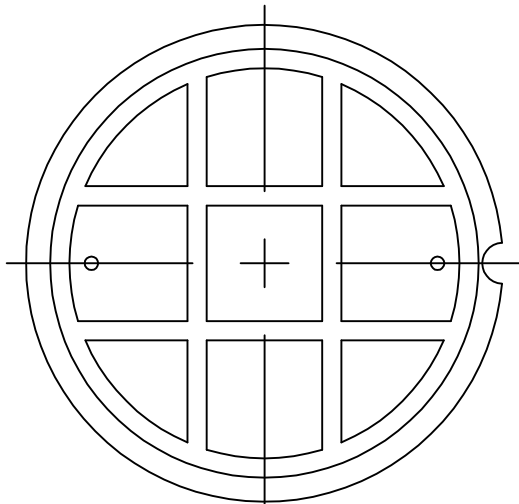
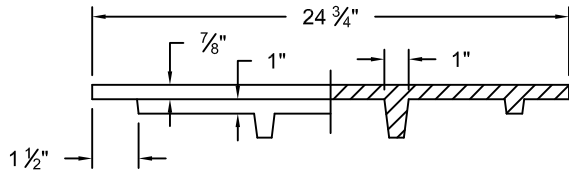


SANITARY SEWER  
MANHOLES

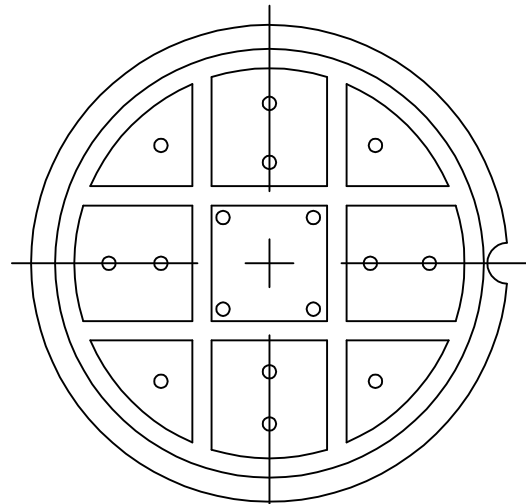


BOTTOM VIEW

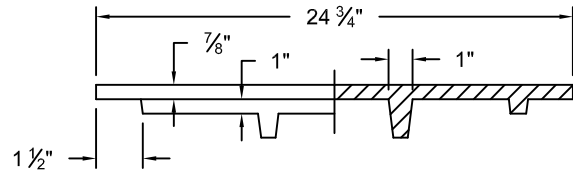


SECTION A-A

STORM DRAIN  
MANHOLES

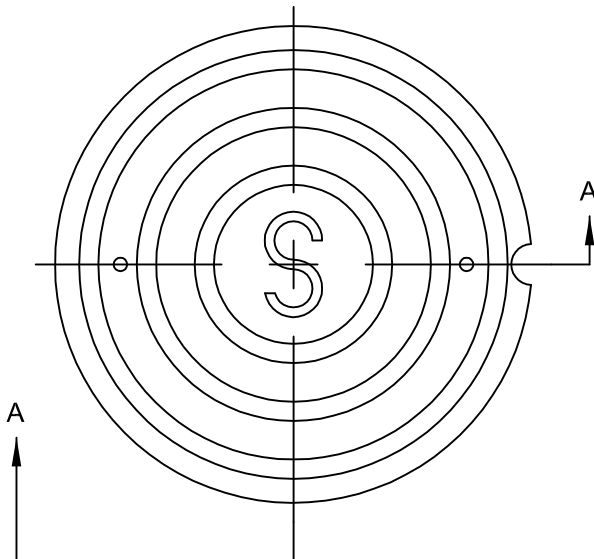


BOTTOM VIEW

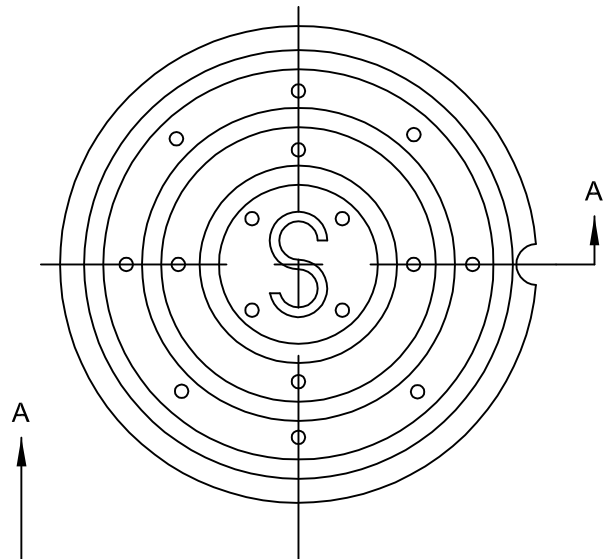


SECTION A-A

MACHINE TO A TRUE  
BEARING ALL AROUND



TOP VIEW



TOP VIEW

CAST IRON OR DUCTILE  
W/ H20 LOAD RATING  
APPROVED BY CITY ENGINEER



**24 3/4" DIAMETER MANHOLE COVER**

STANDARD PLAN:  
**SS - 120**

DATE: **FEB. 2007**

CITY ENGINEER APPROVAL:

Longview: **C.B.**

Kelso: **S.Z.**