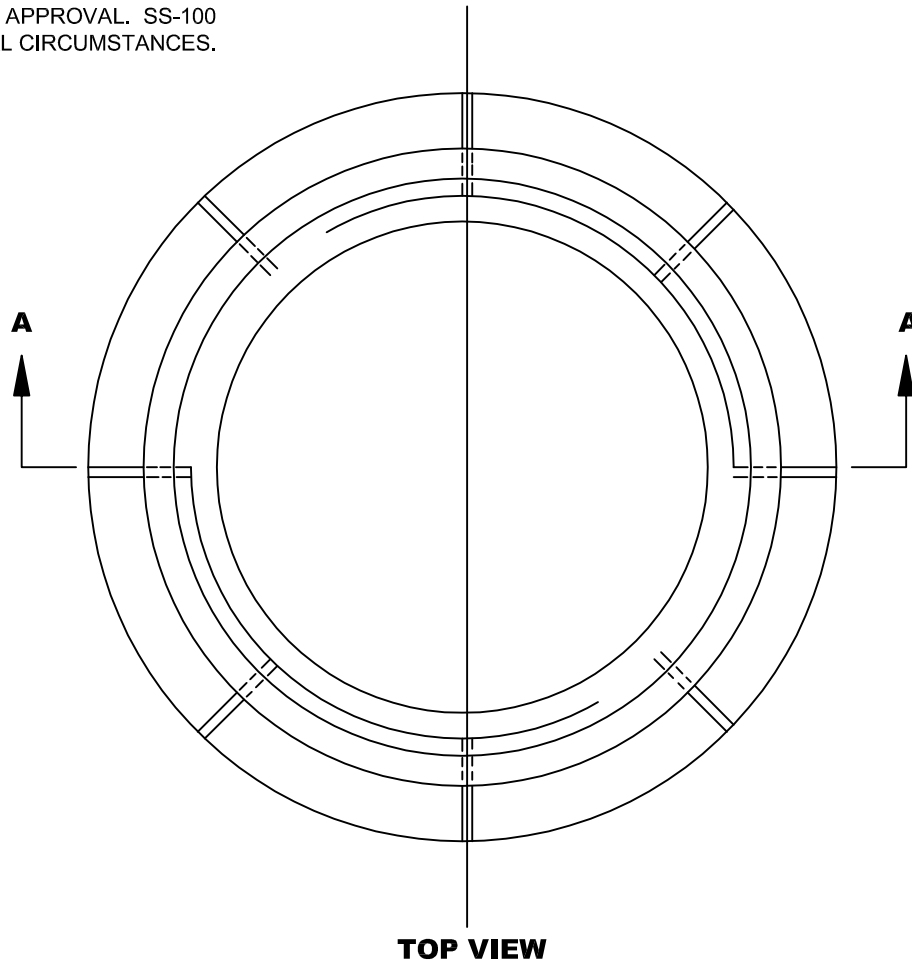
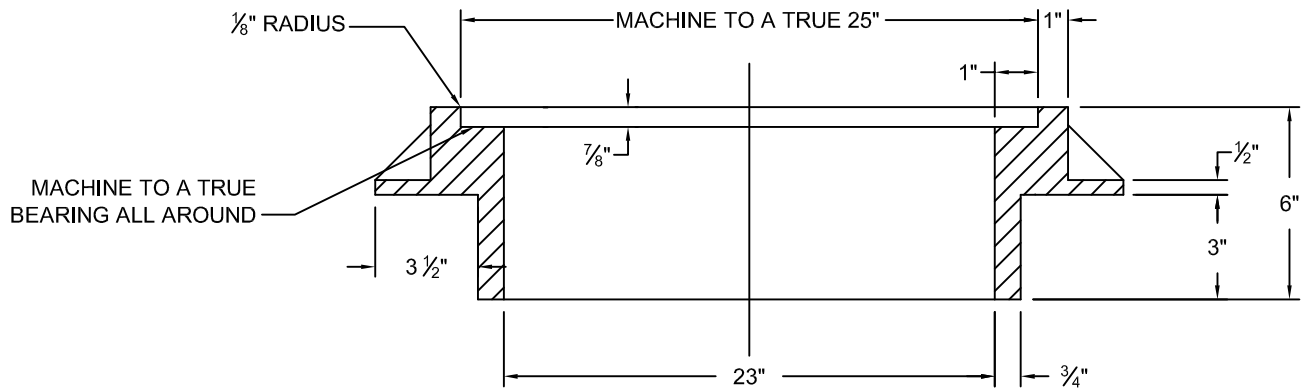


USE OF THIS SIZE FRAME ONLY PERMISSABLE
 WITH ENGINEERS APPROVAL. SS-100
 TO BE USED FOR NORMAL CIRCUMSTANCES.



TOP VIEW



SECTION A-A

NOTES:

1. THIS FRAME SHALL ONLY BE USED WHEN GRADE (INVERT TO FINISH)
 DOES NOT ALLOW FOR STD. DET. SS-100.

CAST IRON OR DUCTILE
 W/ H2O LOAD RATING
 APPROVED BY CITY ENGINEER



23" x 6" MANHOLE FRAME

STANDARD PLAN:
SS - 110
 DATE: **FEB. 2008**

CITY ENGINEER APPROVAL:
 Longview: **C.B.**
 Kelso: **S.Z.**