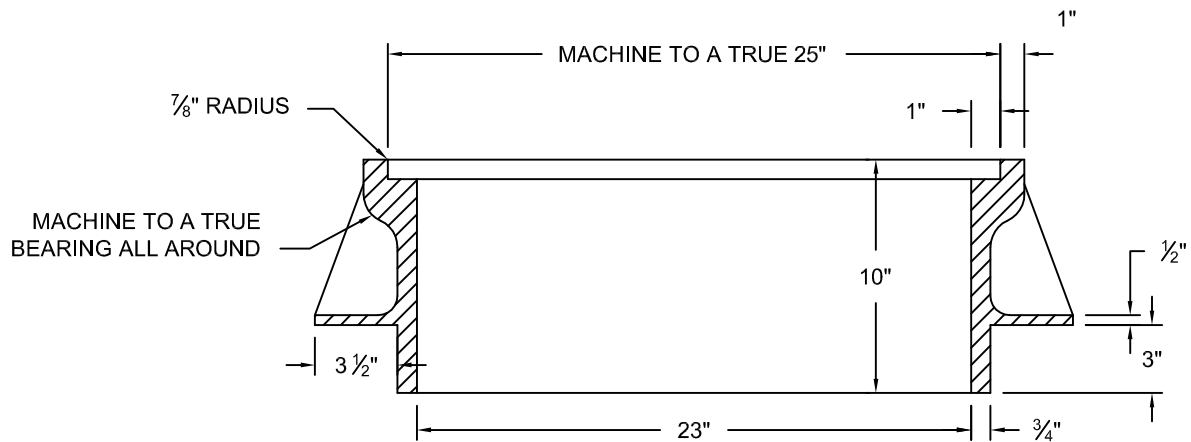


**TOP VIEW**



**SECTION A-A**

CAST IRON OR DUCTILE  
 W/ H2O LOAD RATING  
 APPROVED BY CITY ENGINEER



**23" x 10" MANHOLE FRAME**

STANDARD PLAN:  
**SS - 100**

CITY ENGINEER APPROVAL:

Longview: **C.B.**

DATE: **FEB. 2007**

Kelso: **S.Z.**