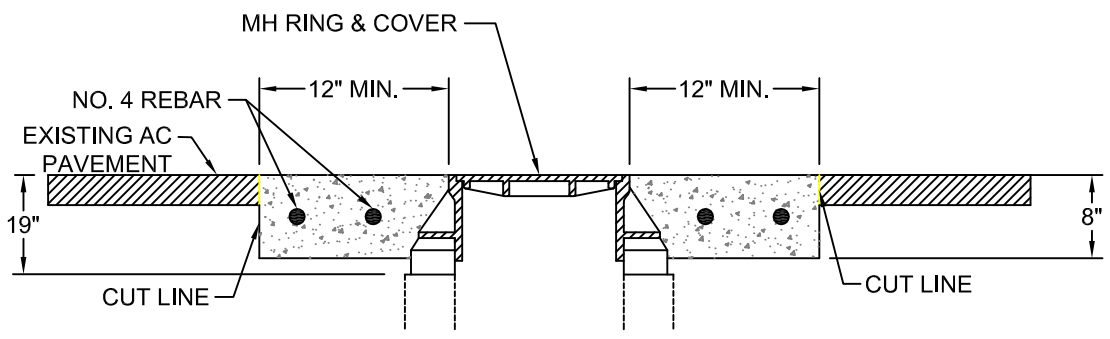


WITH LOCATE WIRE BOX

PLAN



SECTION

NOTES:

1. COVER MANHOLE WITH BUILDING PAPER AND CONST. ASPHALT CONCRETE BASE COURSE AND WEARING COURSES.
2. SAW SQUARE AROUND MANHOLE 12" MIN. FROM MANHOLE FRAME.
3. RAISE MANHOLE FRAME AND COVER TO FINISH GRADE BY INSTALLING CONCRETE RINGS AND LEVELING MORTAR.
4. BACKFILL WITH EARLY STRENGTH P.C. CONCRETE TO FINISH GRADE.
5. PROTECT FROM TRAFFIC LOADING UNTIL CONCRETE HAS CURED TO 80% OF DESIGN STRENGTH.
6. APPLY TACK COAT TO EDGES OF EXISTING PAVEMENT BEFORE INSTALLING PATCH.
7. FINISH JOINT WITH ASPHALT SEAL AND SAND.
8. MAXIMUM GRADE ADJUSTMENT IS 19" FROM CASTING TO TOP OF CONE.
9. CONCRETE SHALL BE CLASS 4000 COMMERCIAL.



CONCRETE COLLAR

STANDARD PLAN: SS - 090	CITY ENGINEER APPROVAL:
DATE: FEB. 2008	Longview: C.B.
	Kelso: S.Z.