

SECTION A ONE PIECE BASE

SECTION B ONE PIECE BASE

PIPE ALLOWANCES	
PIPE MATERIAL	MAXIMUM INSIDE DIAMETER
REINFORCED OR PLAIN CONCRETE	18"
ALL METAL PIPE	21"
CPSSP * (STD. SPEC. 9-05.20)	18"
SOLID WALL PVC (STD. SPEC. 9-05.12(1))	21"
PROFILE WALL PVC (STD. SPEC. 9-05.12(2))	21"

* CORRUGATED POLYETHYLENE STORM SEWER PIPE



NOTE: THIS PLAN IS NOT A LEGAL ENGINEERING DOCUMENT UNLESS IT IS SIGNED BY THE ENGINEER AND APPROVED FOR PUBLICATION. IT IS KEPT ON FILE AT THE WASHINGTON STATE DEPARTMENT OF TRANSPORTATION. A COPY MAY BE OBTAINED UPON REQUEST.

GRATE INLET TYPE 2

STANDARD PLAN B-35.40-00

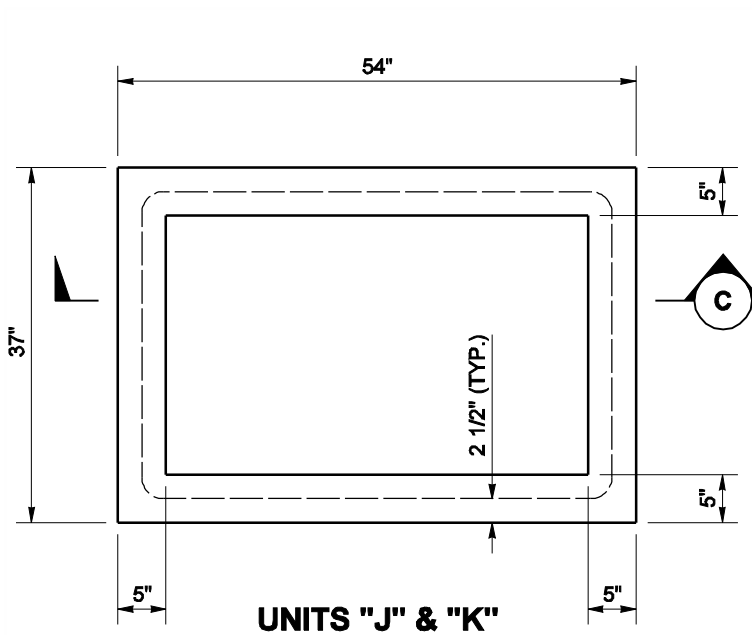
SHEET 1 OF 2 SHEETS

APPROVED FOR PUBLICATION

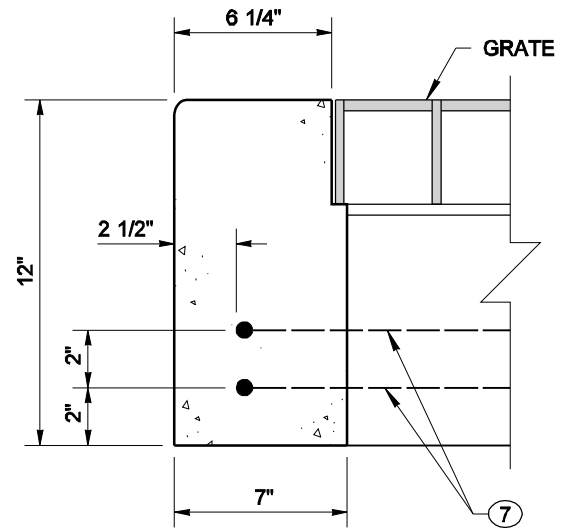
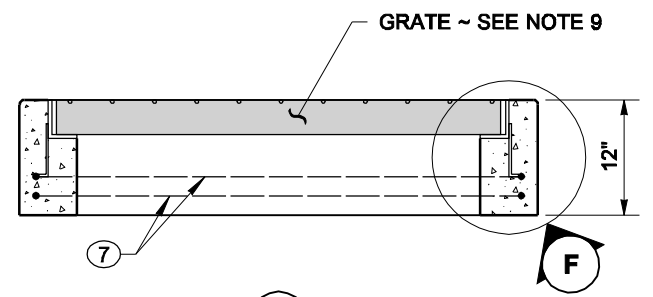
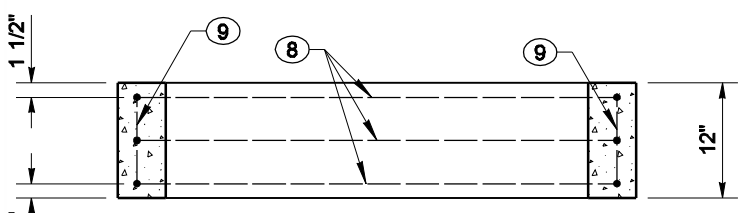
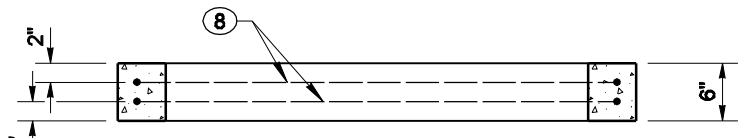
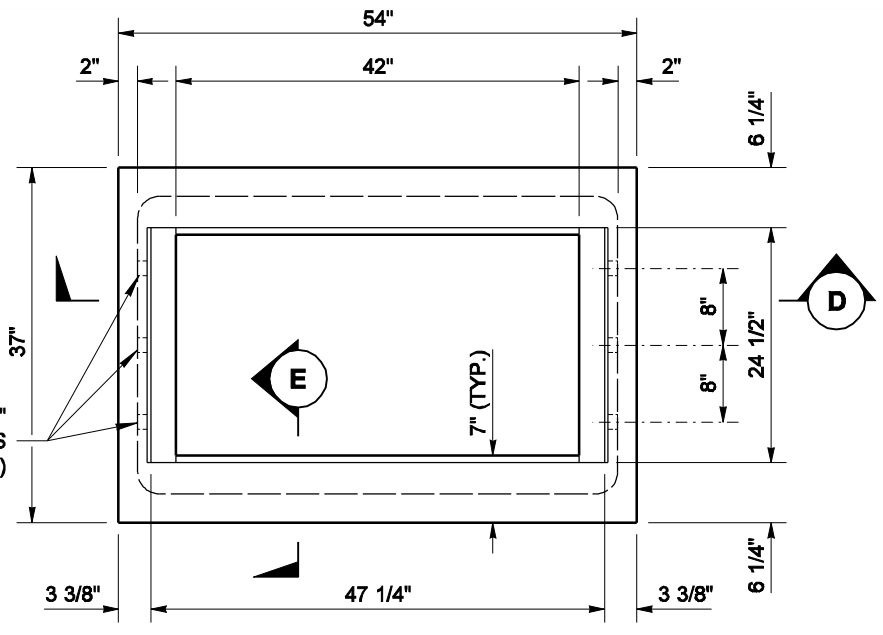
Harold J. Peterfeso 06-08-06

STATE DESIGN ENGINEER DATE





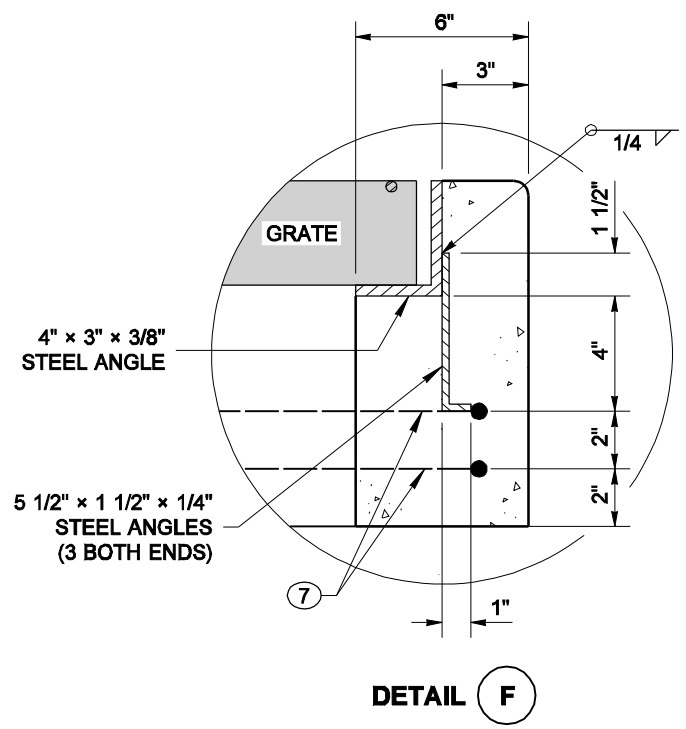
1/4" x 5 1/2" x 1 1/2" STEEL ANGLES (3 BOTH ENDS)



NOTES

1. The Steel Angles shall be set so that each bearing bar of prefabricated grate shall have full bearing on both ends. The finished top of concrete shall be even with the grate surface.
2. Top of inlet grate shall be placed at ground level to present an unobstructed ditch or median section.
3. All exposed concrete edges shall be finished with a 1/2" radius.
4. Pipes may enter through the knockouts on any side at any reasonable angle, provided the outside of the pipe can be contained between two opposite walls.
5. The flow line of the outlet pipe shall be 18" minimum above the inside bottom of the inlet structure.
6. The grade line of the top inside of any inlet pipe shall enter no lower than the grade line of the top inside of the outlet pipe.
7. Unit "H" and optional extension units "J" and "K" shall be grouted in place to the satisfaction of the Engineer.
8. All pickup holes shall be grouted full after the basin has been placed.
9. See contract for type of grate specified. See Standard Plan B-40.20 and B-40.40 for grate details.

BAR LIST						BENDING DIAGRAM (ALL DIMENSIONS ARE OUT TO OUT)	
MARK	LOCATION	QTY.	SIZE	LENGTH	DESCRIPTION		
①	BOTTOM SLAB AND SIDE WALL	3	3	5' - 9"	STRAIGHT		
②	BOTTOM SLAB AND SIDE WALL	2		12' - 5"			
③	BOTTOM SLAB AND SIDE WALL	2		7' - 2"			
④	BOTTOM SLAB AND SIDE WALL	2		2' - 9"			
⑤	WALL	4		9' - 1"	HOOP		
⑥	SIDE WALL	3		14' - 6"	HOOP		
⑦	UNIT H	2		14' - 2"	HOOP		
⑧	UNIT J	2		14' - 2"	HOOP		
⑧	UNIT K	3		14' - 2"	HOOP		
⑨	UNIT K	4		0' - 9"	STRAIGHT		
⑩	SIDE WALL	8		2' - 8"	STRAIGHT		
⑪	BOTTOM SLAB AND SIDE WALL	4		7' - 5"	HOOP		
⑫	BOTTOM SLAB AND SIDE WALL	3		6' - 0"			
⑬	SIDE WALL	4	14' - 6"	HOOP			



NOTE: THIS PLAN IS NOT A LEGAL ENGINEERING DOCUMENT UNTIL AN ELECTRONIC DIGITAL SIGNATURE IS APPLIED TO THE ORIGINAL. THE ORIGINAL, SIGNED BY THE ENGINEER AND APPROVED FOR PUBLICATION, IS KEPT ON FILE AT THE WASHINGTON STATE DEPARTMENT OF TRANSPORTATION. A COPY MAY BE OBTAINED UPON REQUEST.

GRATE INLET TYPE 2
STANDARD PLAN B-35.40-00

SHEET 2 OF 2 SHEETS
APPROVED FOR PUBLICATION
Harold J. Peterfeso 06-08-06
STATE DESIGN ENGINEER DATE
Washington State Department of Transportation