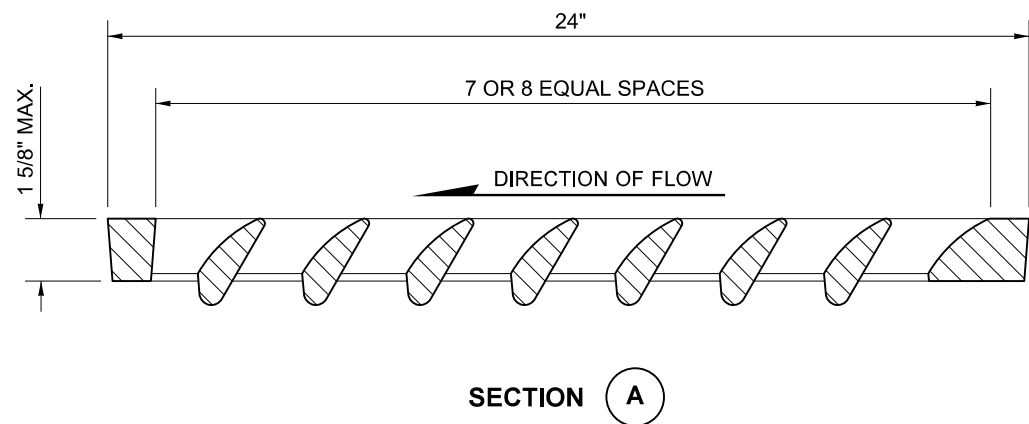
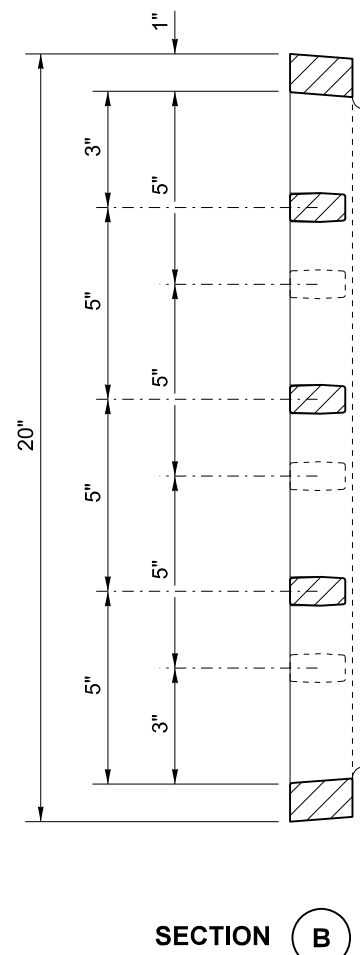
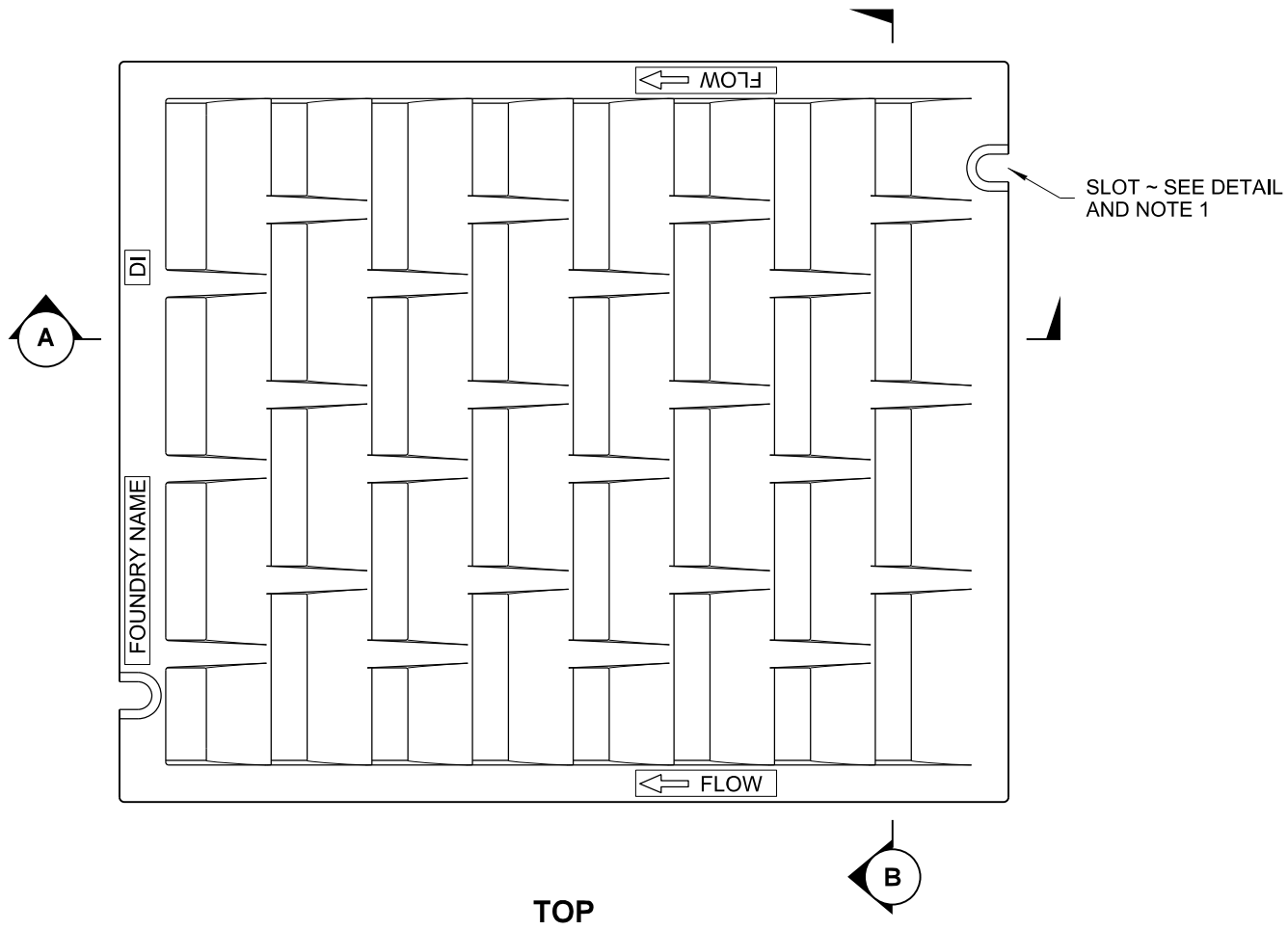
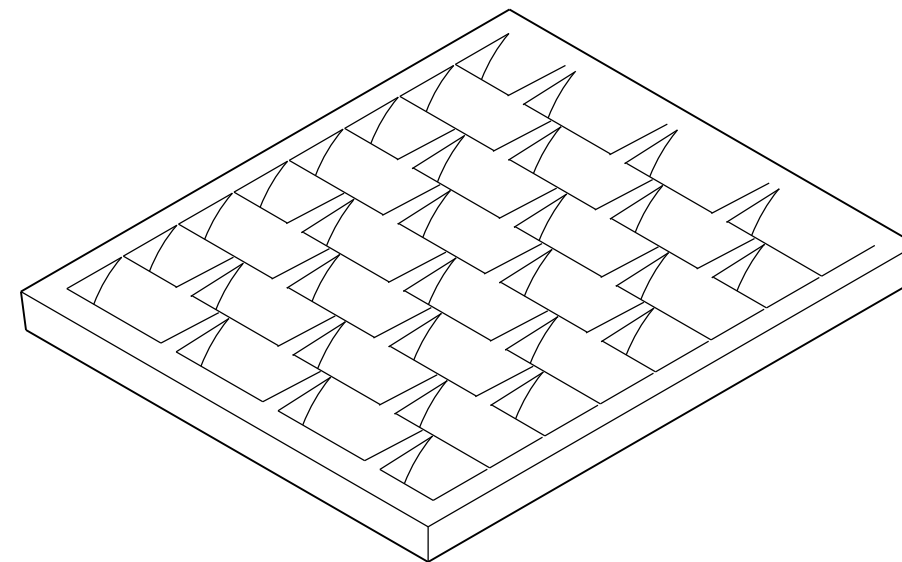
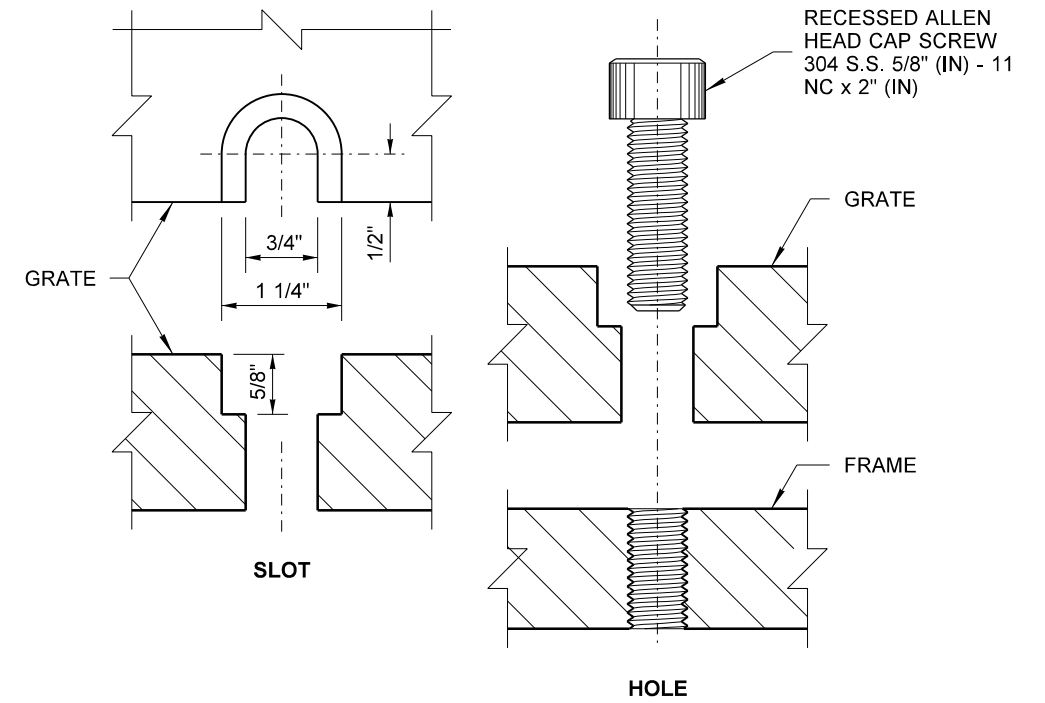


DRAWN BY: FERN LIDDELL



NOTES

1. Bolt-down capability is required on all frames, grates, and covers, unless specified otherwise in the Contract. Provide 2 holes in the frame that are vertically aligned with the grate or cover slots. The frame shall accept the 304 Stainless Steel (S.S.) 5/8" (in) - 11 NC x 2" (in) Allen head cap screw by being tapped, or other approved mechanism. Location of bolt-down holes varies by manufacturer.
2. Refer to **Standard Specification Section 9-05.15(2)** for additional requirements.
3. For frame details, see **Standard Plan B-30.10**.



**RECTANGULAR VANED GRATE**  
**STANDARD PLAN B-30.30-02**

SHEET 1 OF 1 SHEET

APPROVED FOR PUBLICATION

STATE DESIGN ENGINEER  
 Washington State Department of Transportation