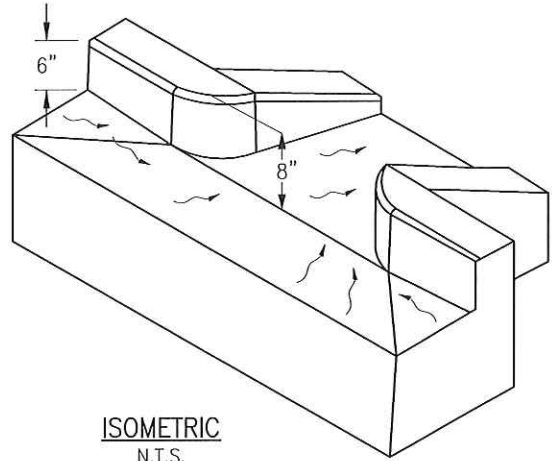
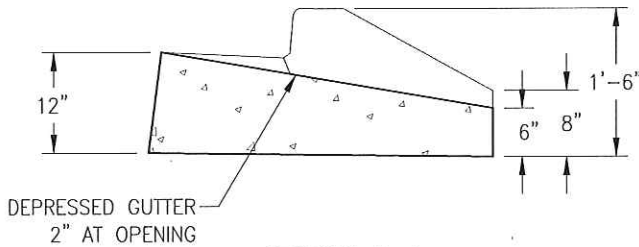


PLAN
N.T.S.



ISOMETRIC
N.T.S.



SECTION A-A
N.T.S.

NOTES:

1. FOR USE WITH STORMWATER FACILITIES WITH SIDE SLOPES.
2. REFER TO STANDARD DRAWINGS ST-090 FOR CURB CONSTRUCTION AND ST-110 FOR CURB AND GUTTER TYPE A AND B. MATCH GUTTER PAN OF ADJACENT CURB AND GUTTER.



SIDE CURB CUT

STANDARD PLAN:
SD-120 LID

DATE: JUNE 2017

CITY ENGINEER APPROVAL: