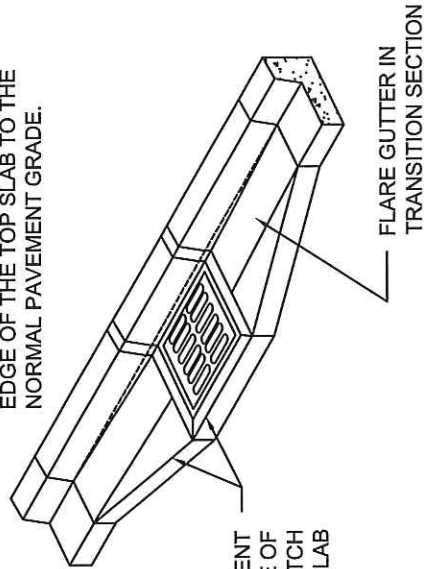


PRECAST TOP SLAB SHOWN WITH GUTTER TRANSITION FLARE. MATCH THE TOP FRONT EDGE OF THE FRAME AND THE TOP FRONT EDGE OF THE TOP SLAB TO THE NORMAL PAVEMENT GRADE.



MATCH NORMAL PAVEMENT GRADE AT FRONT EDGE OF GUTTER FLARE AND CATCH BASIN TOP SLAB

FLARE GUTTER IN TRANSITION SECTION

GUTTER TRANSITION SECTION



STANDARD PLAN: **SD-010**

DATE: **6-1-2017**

CITY ENGINEER APPROVAL:

Michael Kardas, P.E.