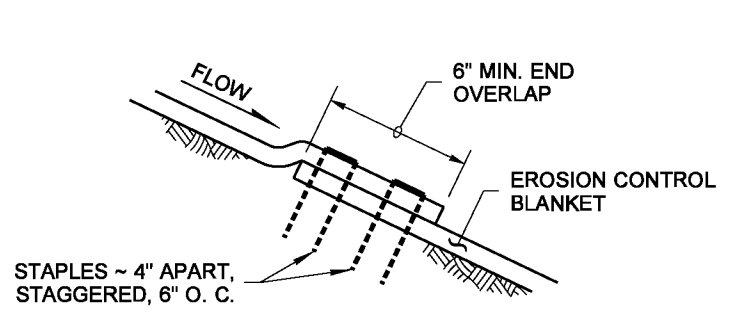
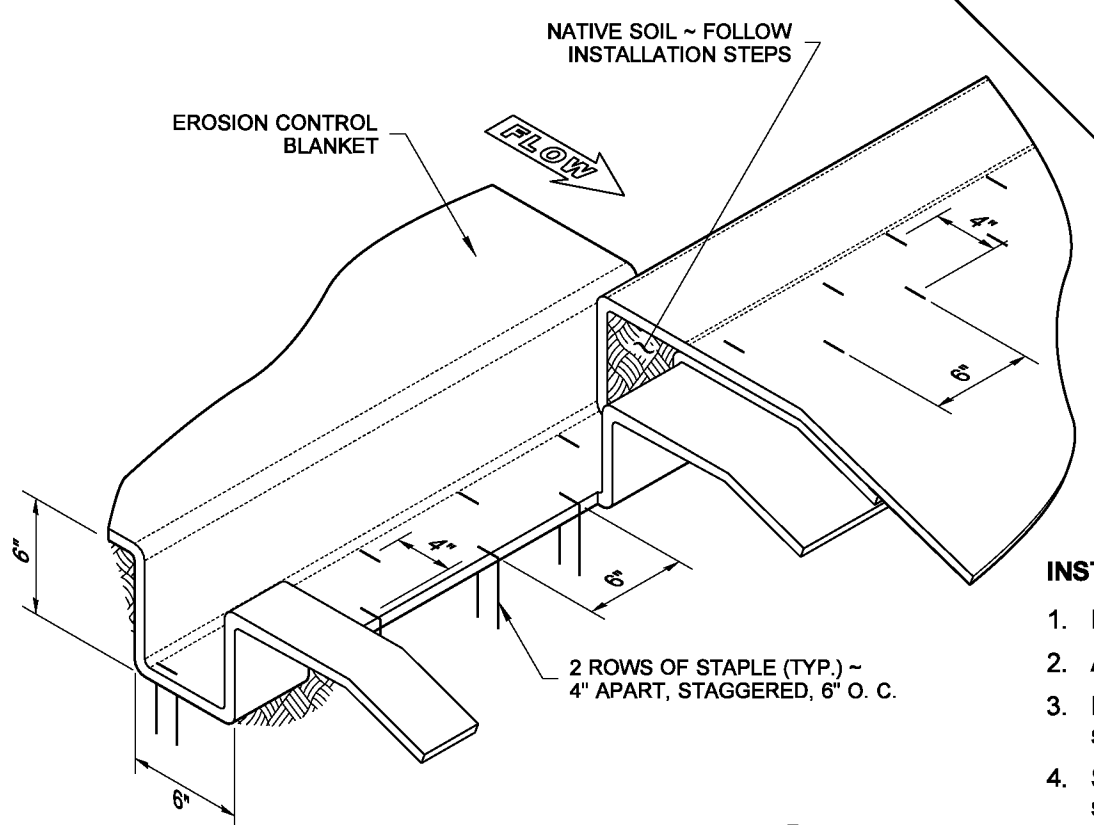


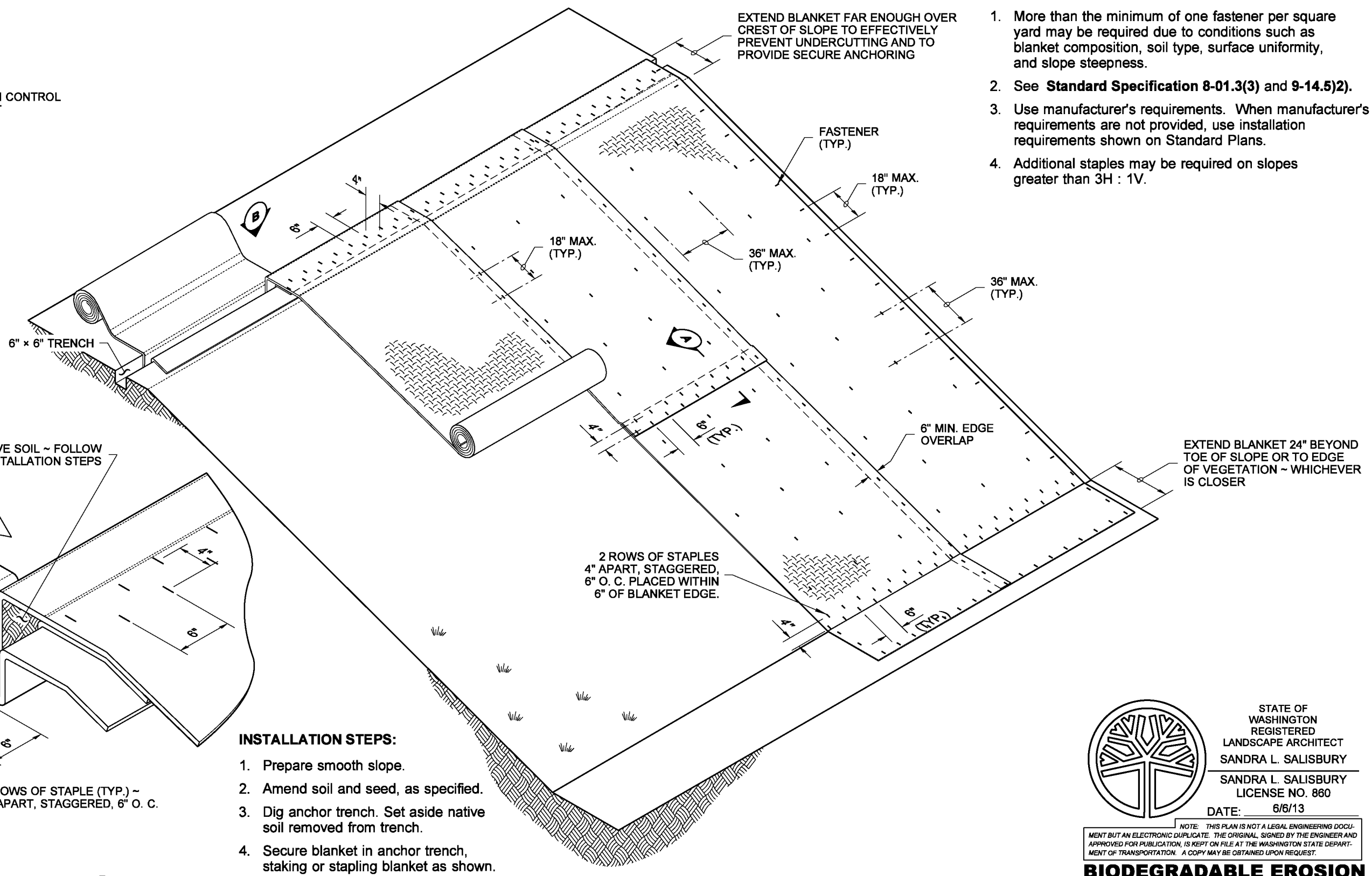
DRAWN BY: LISA CYFORD



SHINGLE SPLICE ~ SECTION A



INITIAL ANCHOR ~ DETAIL B



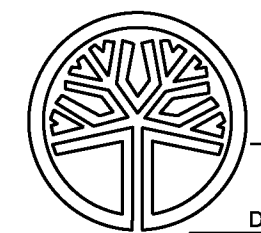
ISOMETRIC VIEW

INSTALLATION STEPS:

1. Prepare smooth slope.
2. Amend soil and seed, as specified.
3. Dig anchor trench. Set aside native soil removed from trench.
4. Secure blanket in anchor trench, staking or stapling blanket as shown.
5. Replace native soil previously removed from trench.
6. Roll blanket down the slope in a controlled manner, taking care to remove excess slack, and taking care not to stretch blanket.
7. Stake or staple blanket as shown so there are no gaps between the blanket and the soil. Staple while unrolling blanket to minimize walking on blanket.

NOTES

1. More than the minimum of one fastener per square yard may be required due to conditions such as blanket composition, soil type, surface uniformity, and slope steepness.
2. See **Standard Specification 8-01.3(3) and 9-14.5(2)**.
3. Use manufacturer's requirements. When manufacturer's requirements are not provided, use installation requirements shown on Standard Plans.
4. Additional staples may be required on slopes greater than 3H : 1V.



STATE OF WASHINGTON
REGISTERED
LANDSCAPE ARCHITECT
SANDRA L. SALISBURY
SANDRA L. SALISBURY
LICENSE NO. 860
DATE: 6/6/13

NOTE: THIS PLAN IS NOT A LEGAL ENGINEERING DOCUMENT BUT AN ELECTRONIC DUPLICATE. THE ORIGINAL, SIGNED BY THE ENGINEER AND APPROVED FOR PUBLICATION, IS KEPT ON FILE AT THE WASHINGTON STATE DEPARTMENT OF TRANSPORTATION. A COPY MAY BE OBTAINED UPON REQUEST.

BIODEGRADABLE EROSION CONTROL BLANKET PLACEMENT FOR SLOPES STANDARD PLAN I-60.10-01

SHEET 1 OF 1 SHEET

APPROVED FOR PUBLICATION
Pasco Bakotich III 6/10/13
STATE DESIGN ENGINEER DATE
Washington State Department of Transportation